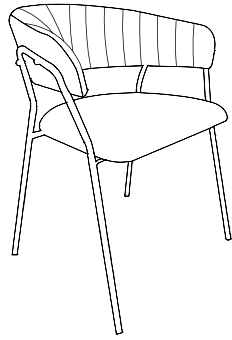
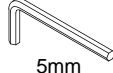



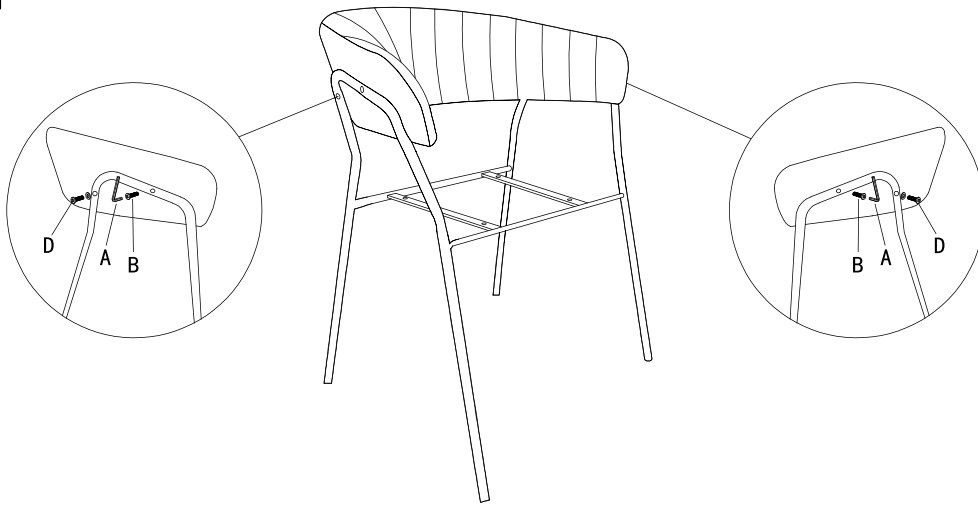


ASSEMBLY INSTRUCTIONS



A	 5mm	1
B	 M6x25mm	6
C		4
D	 M6x30mm	2

1



2

