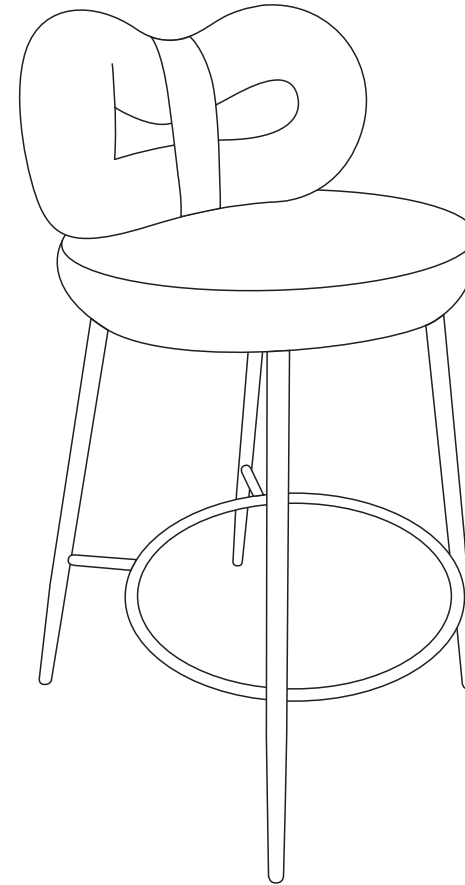
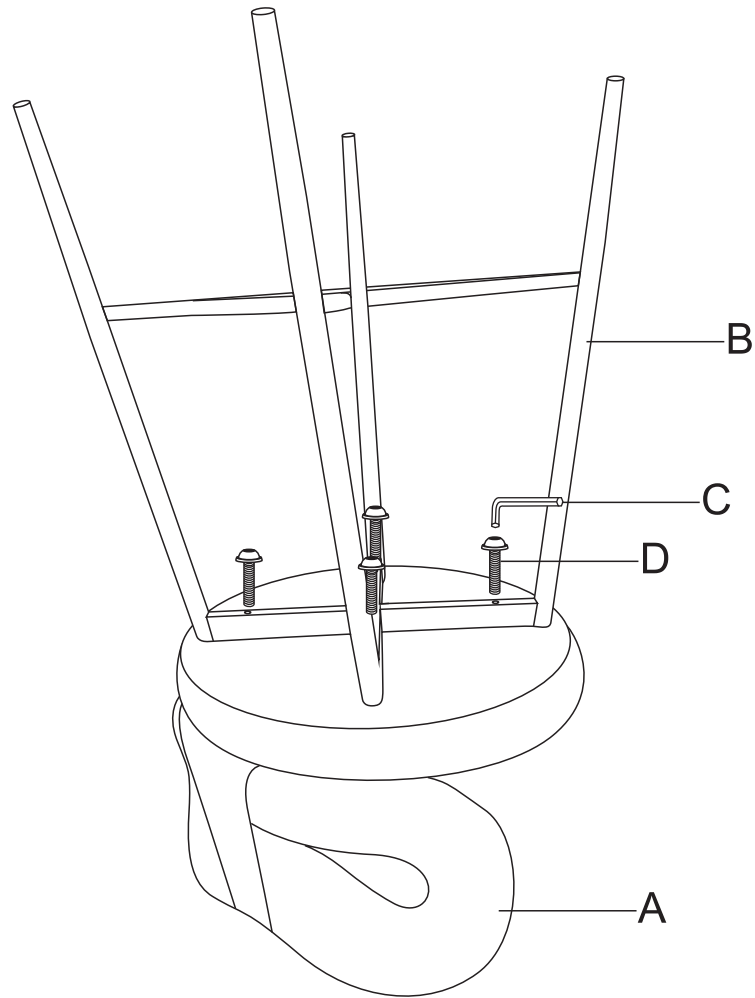


# ASSEMBLY INSTRUCTION



Ax1	Bx1	Cx1	Dx4
			M6x50mm