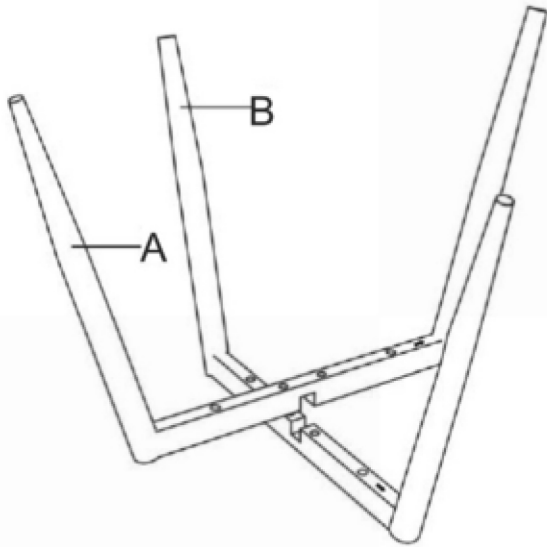
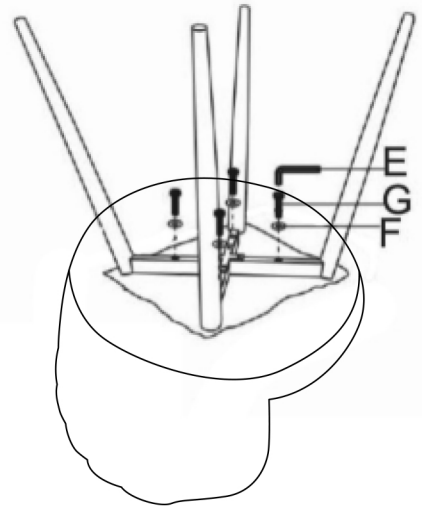


Assembly Instruction

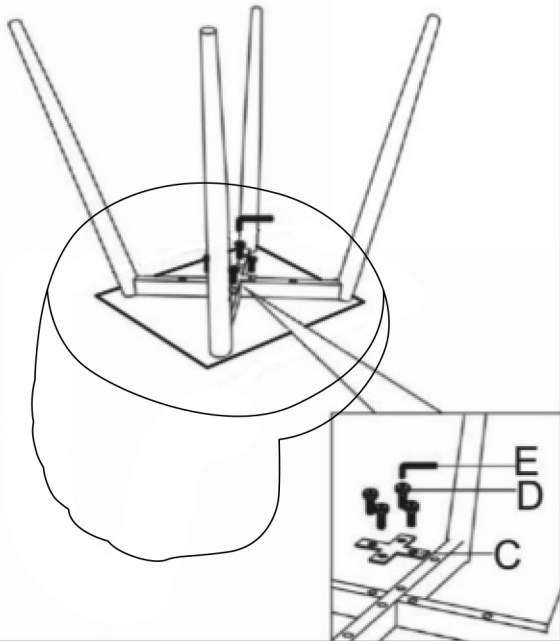
1



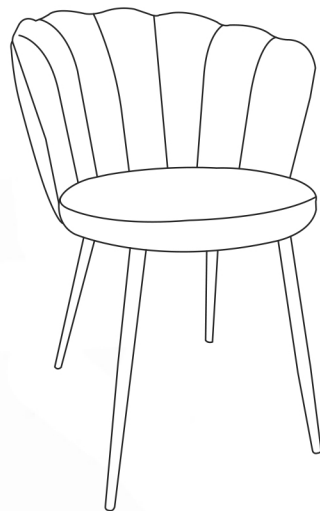
2



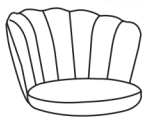
3



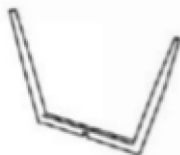
4



1X1PC



AX1PC



BX1PC



CX1PC



DX4PCS



M6×14

EX1PC



FX4PCS



GX4PCS



M6×40