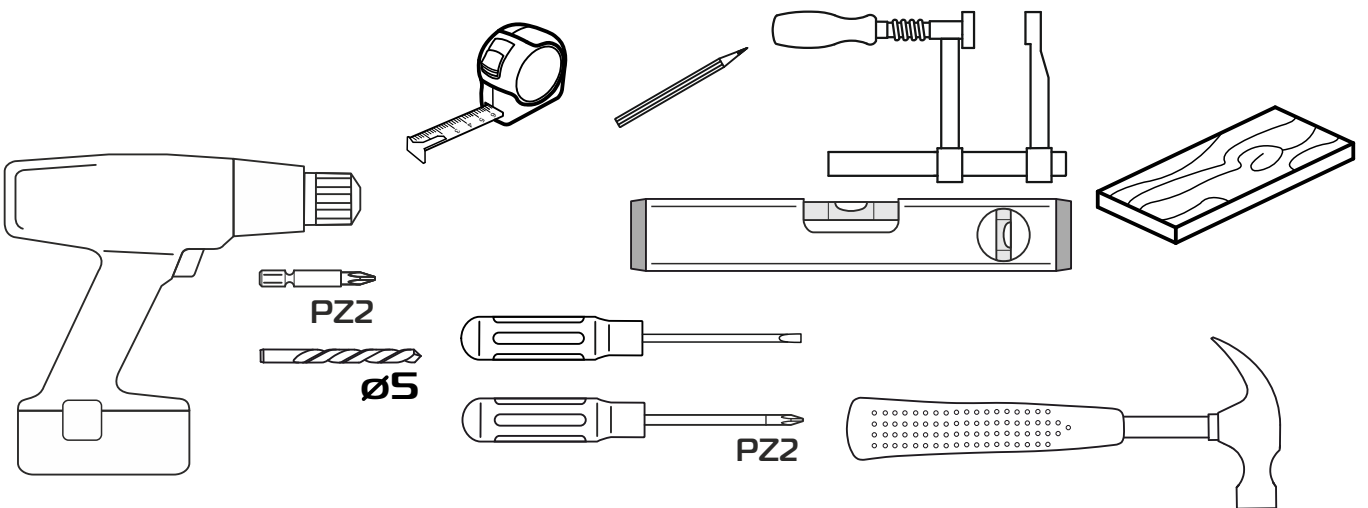
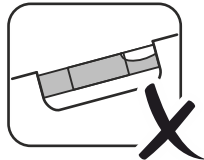
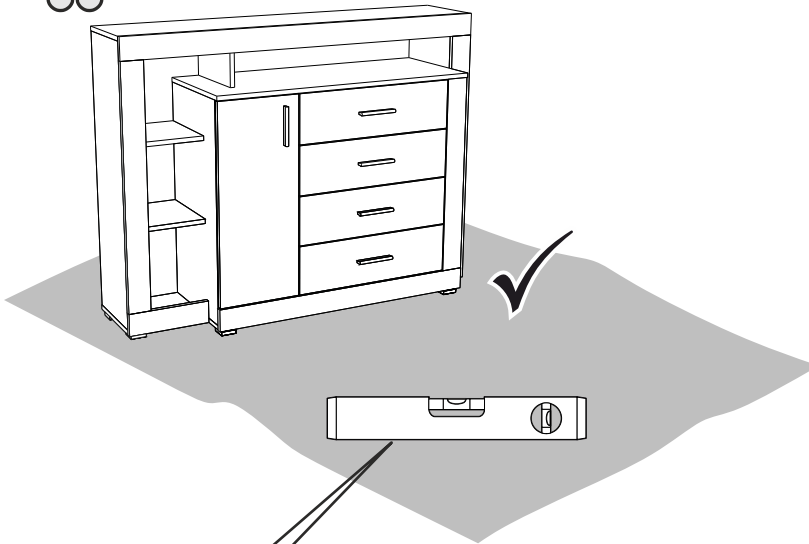
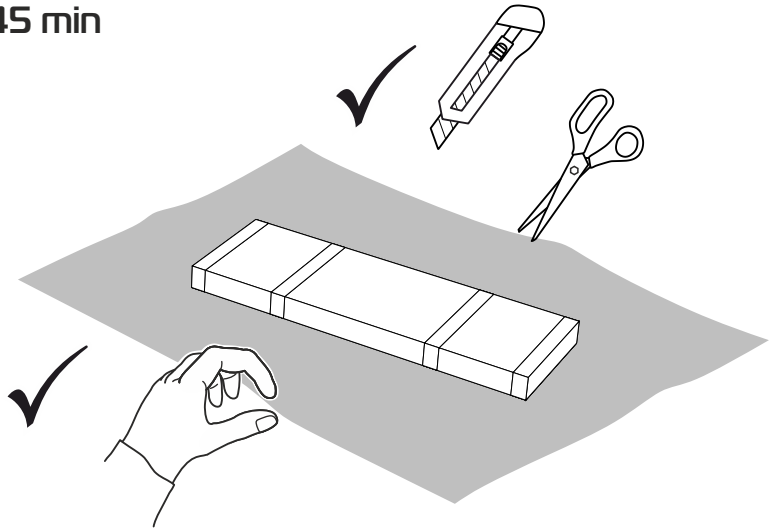
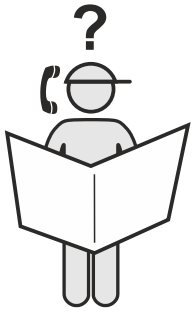
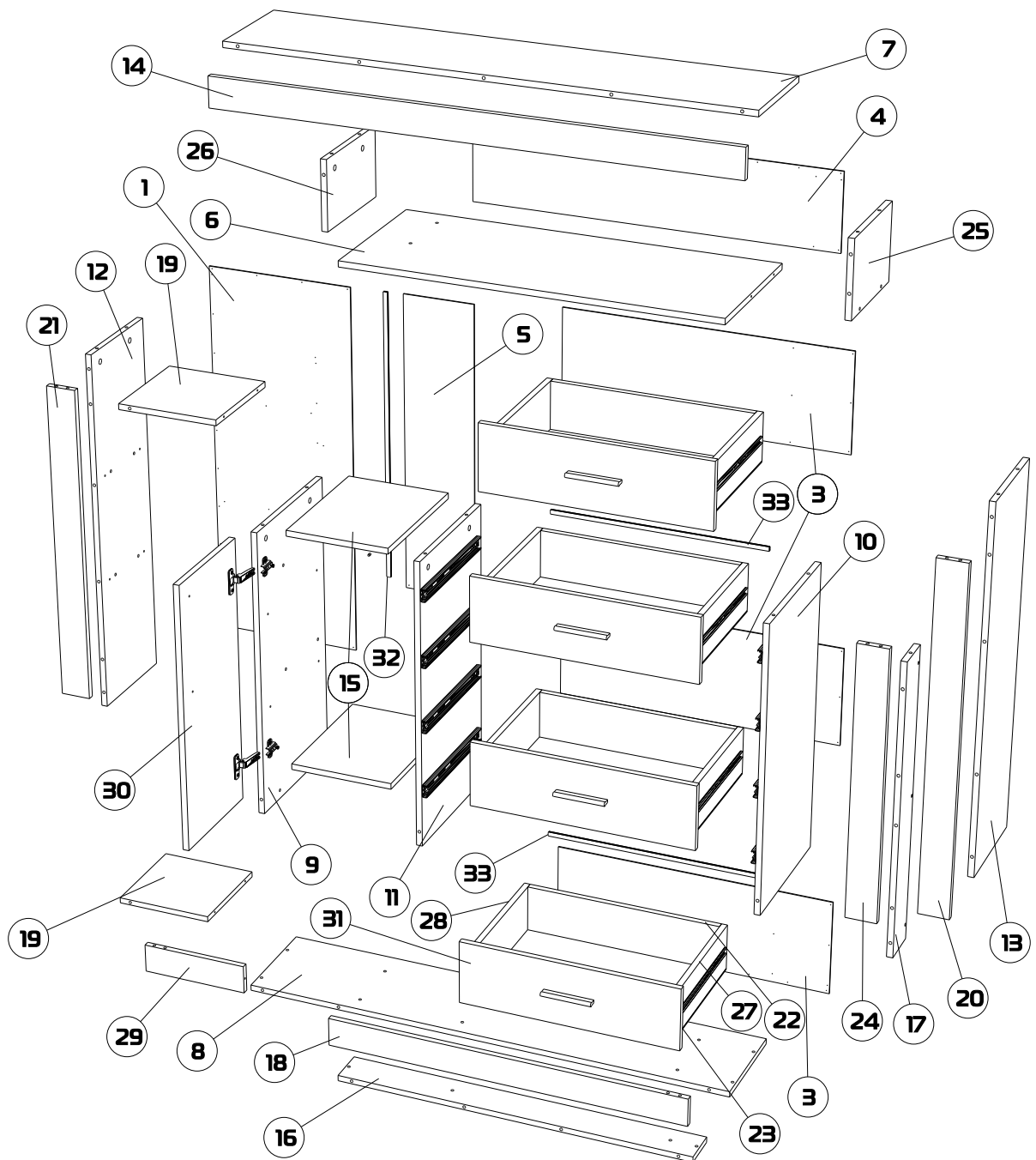


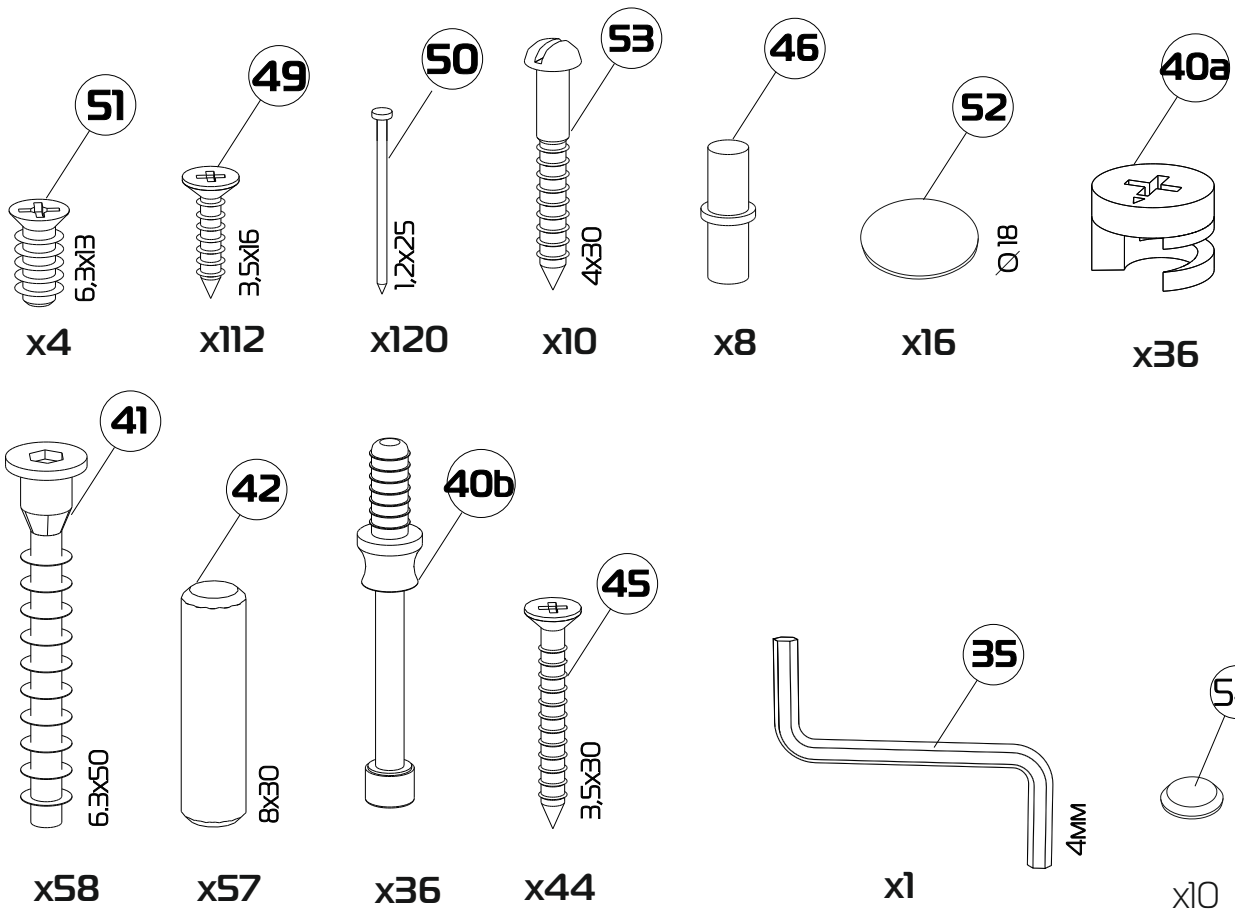
30-45 min



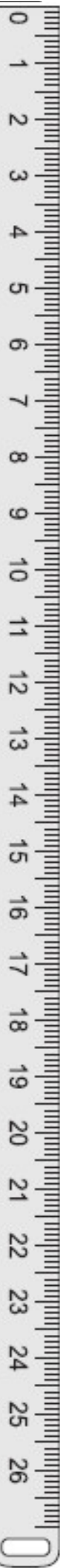
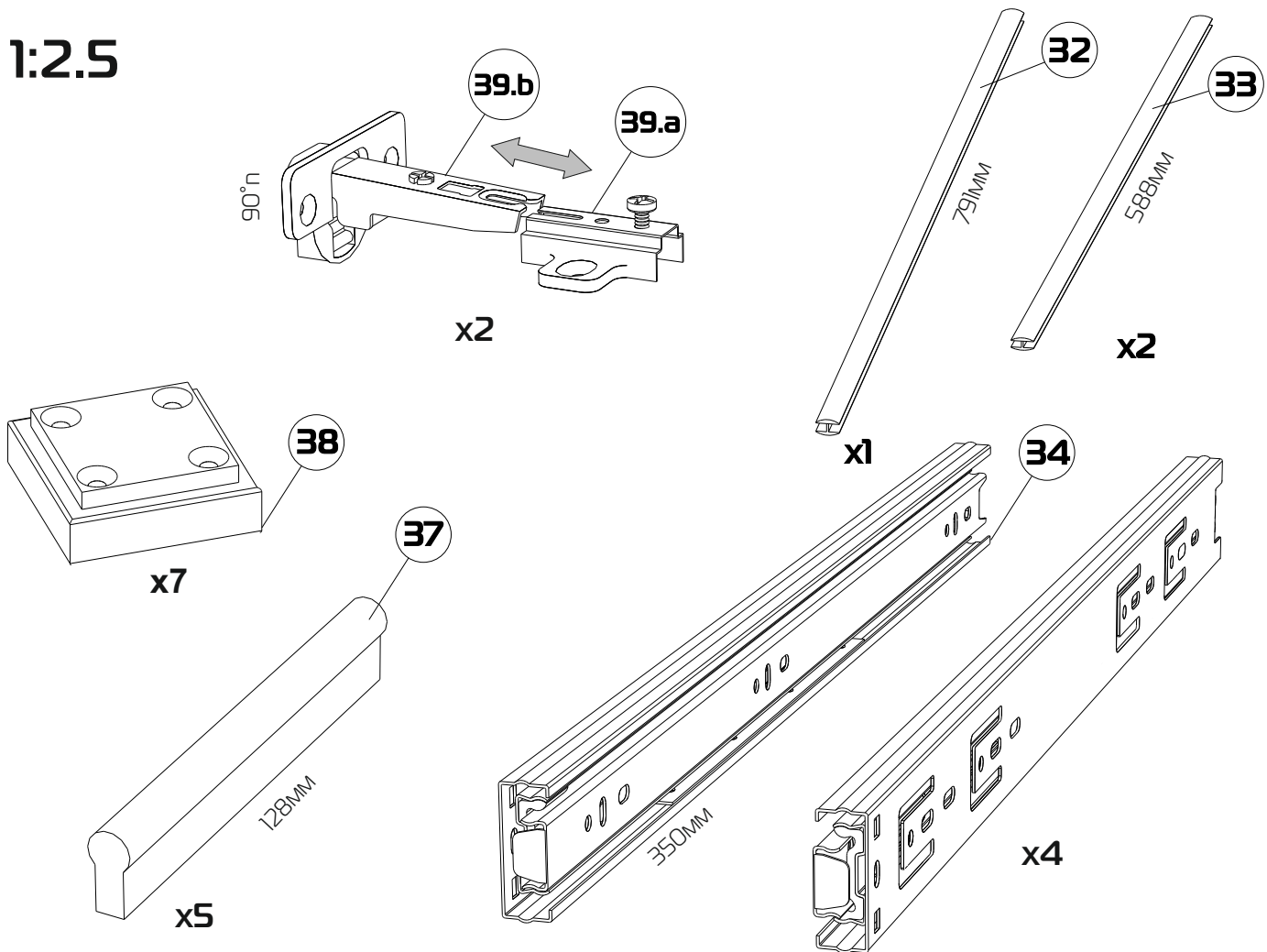


①	1020x399x3	x1	⑫	991x280x16	x1	⑳	944x80x16	x1
②	563x370x3	x4	⑬	991x280x16	x1	㉑	864x80x16	x1
③	271x761x3	x3	⑭	1360x80x16	x1	㉒	531x128x16	x4
④	206x956x3	x1	⑮	278x370x16	x2	㉓	728x80x16	x1
⑤	815x194x3	x1	⑯	988x100x16	x1	㉔	201x280x16	x1
⑥	989x400x16	x1	⑰	791x101x16	x1	㉕	184x280x16	x1
⑦	1360x280x16	x1	⑱	990x80x16	x1	㉖	370x128x16	x4
⑧	1360x280x16	x1	㉒	791x380x16	x1	㉗	370x128x16	x4
⑨	791x380x16	x1	㉓	275x280x16	x2	㉘	292x80x16	x1
⑩	791x380x16	x1	㉔	944x80x16	x1	㉙	721x300x16	x1
⑪	791x380x16	x1	㉕	599x178x16	x4	㉚	531x128x16	x4
			㉖	275x280x16	x2			
			㉗	944x80x16	x1			
			㉘	599x178x16	x4			
			㉙	275x280x16	x2			
			㉚	944x80x16	x1			
			㉛	599x178x16	x4			

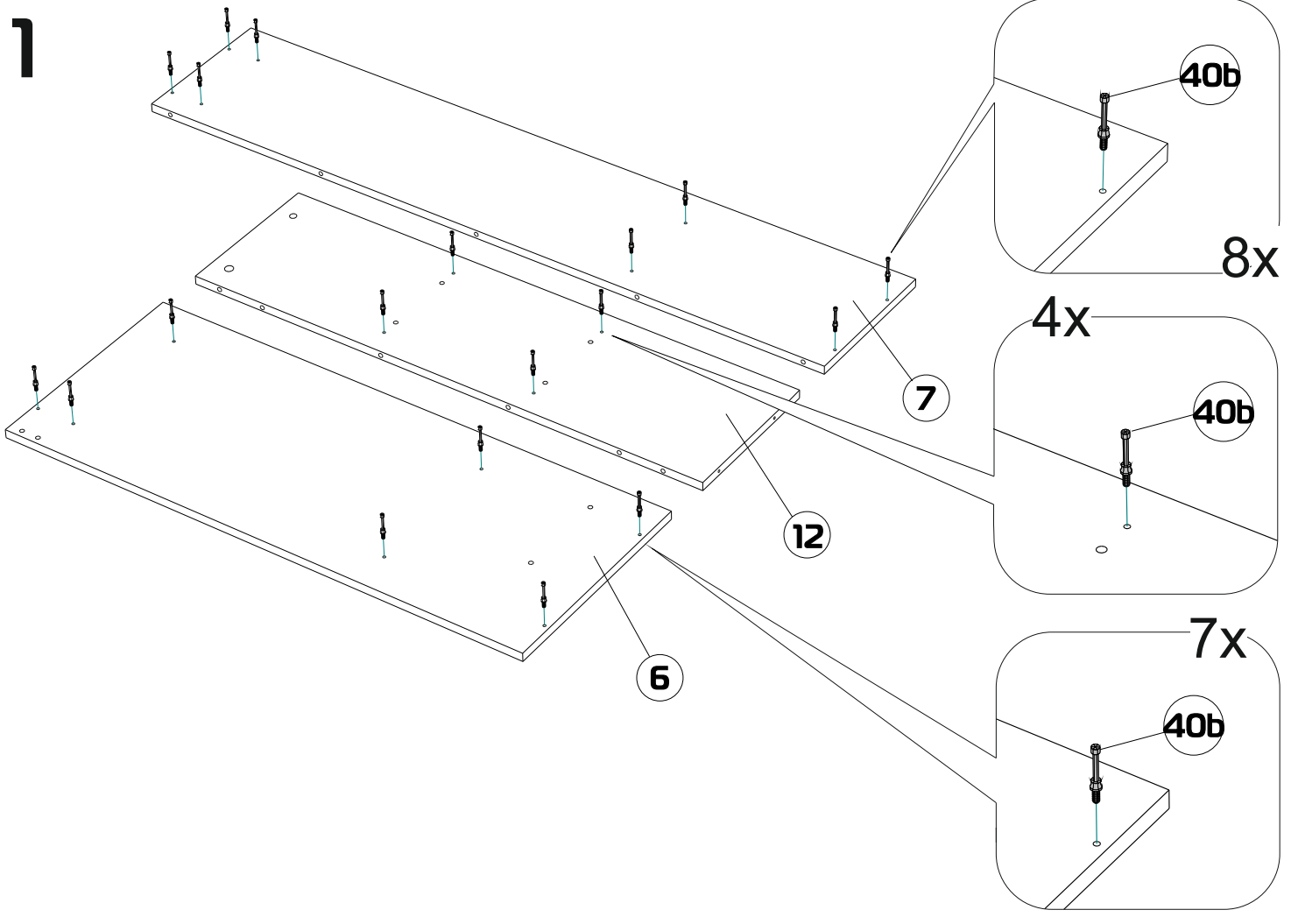
1:1



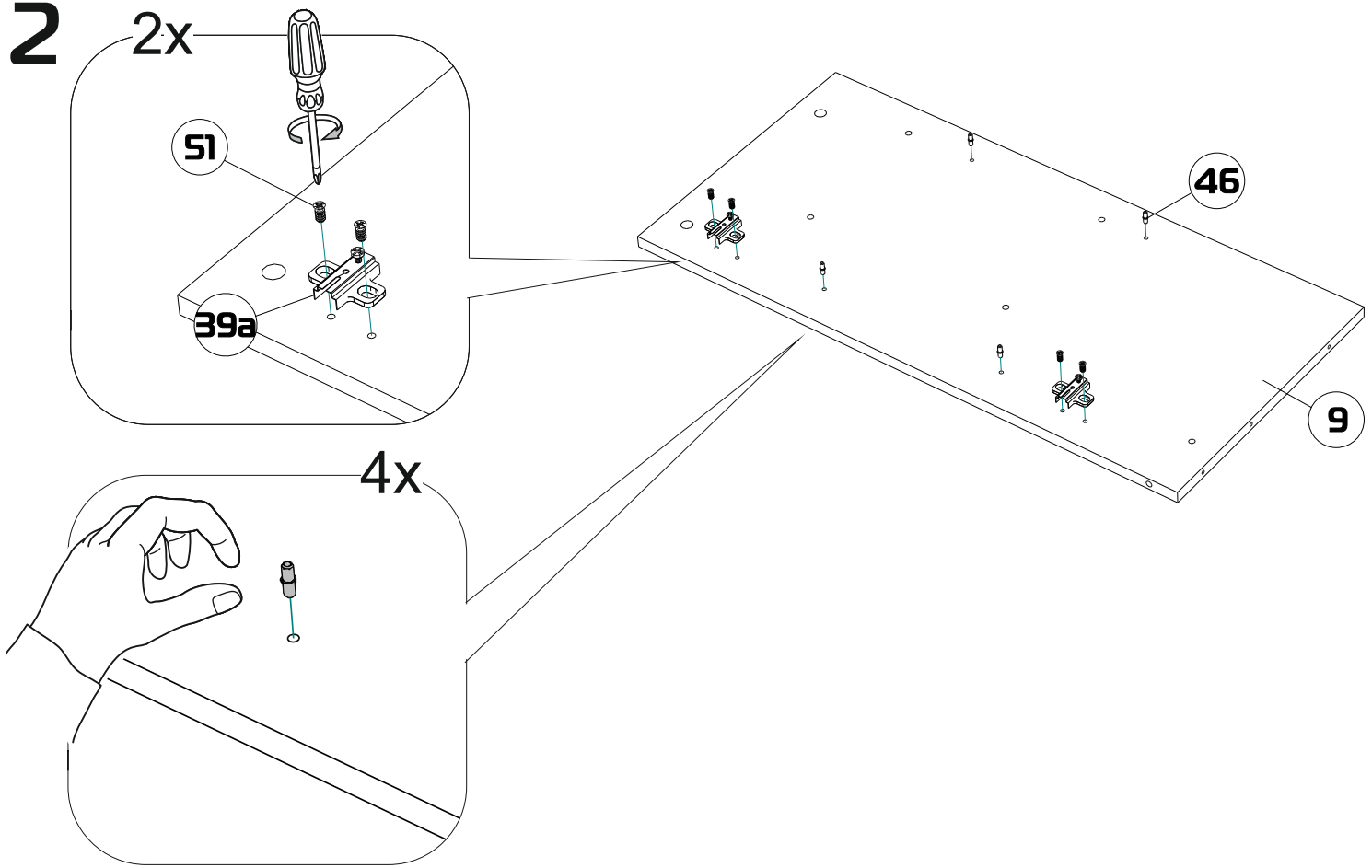
1:2.5



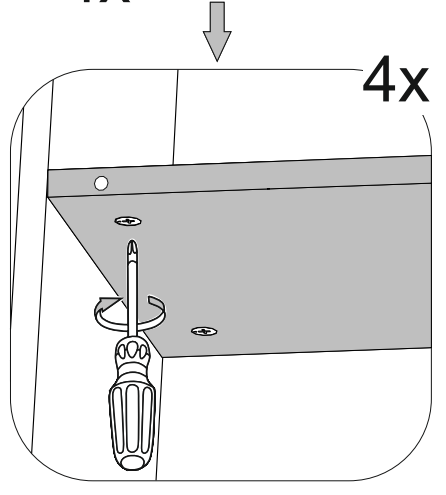
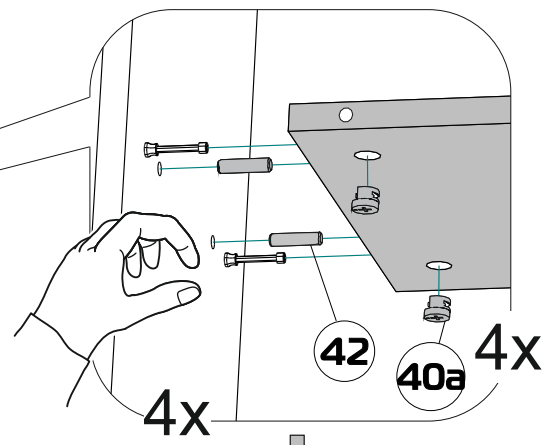
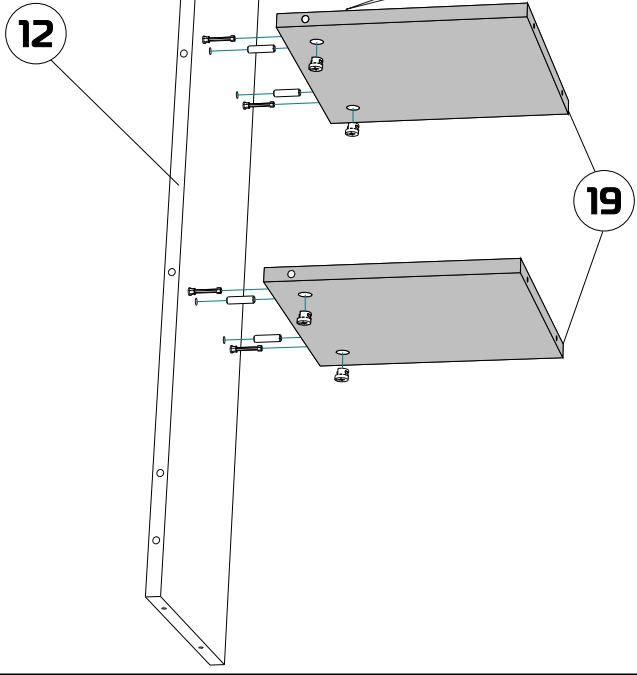
1



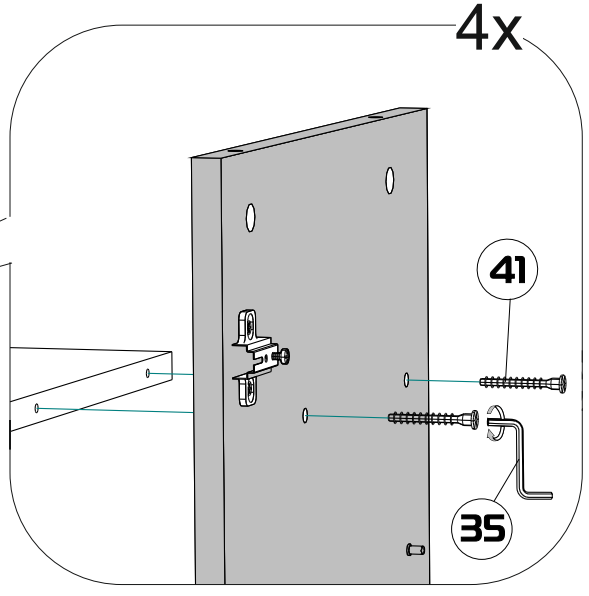
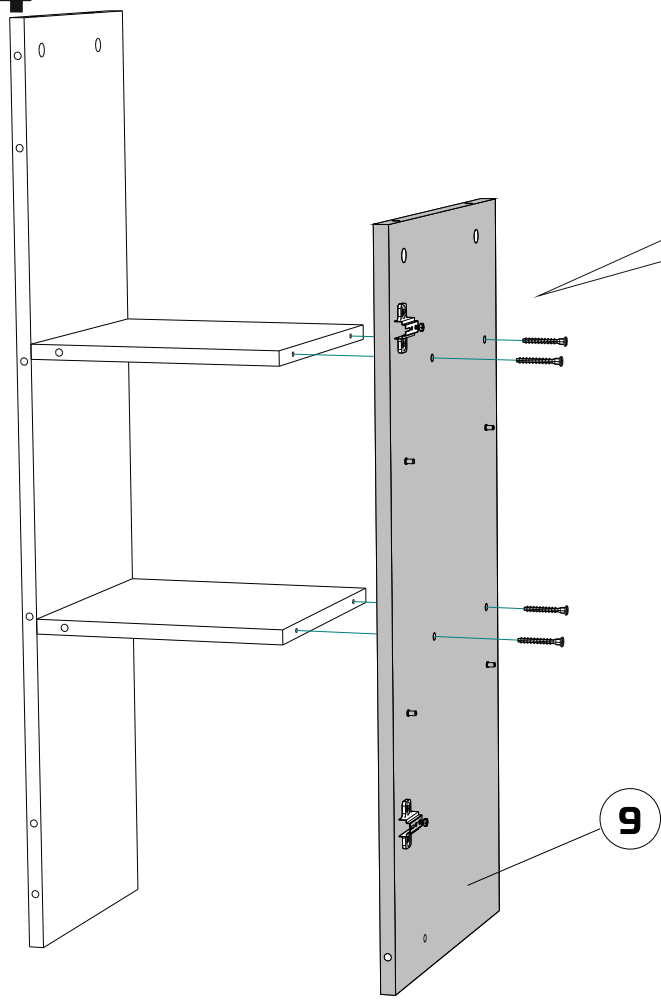
2



3

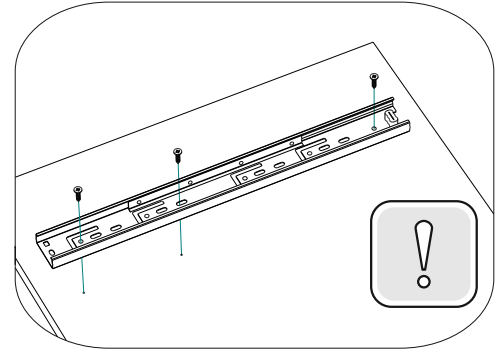
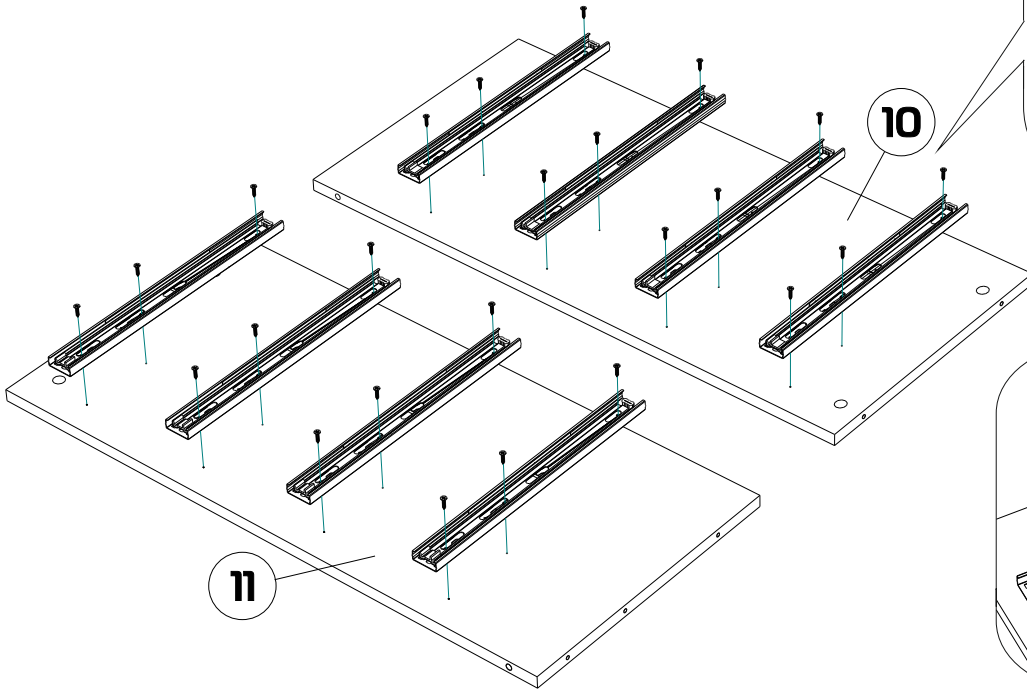
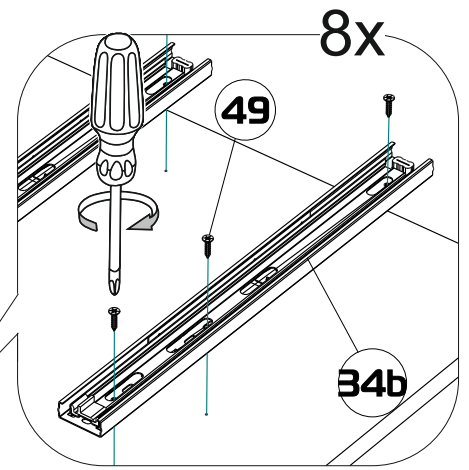
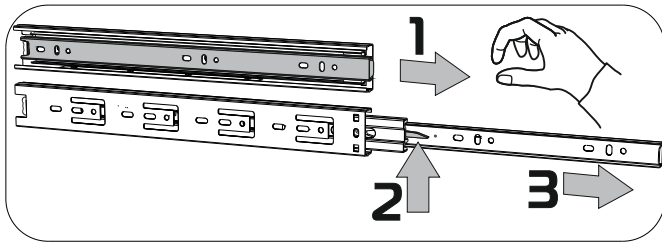


4

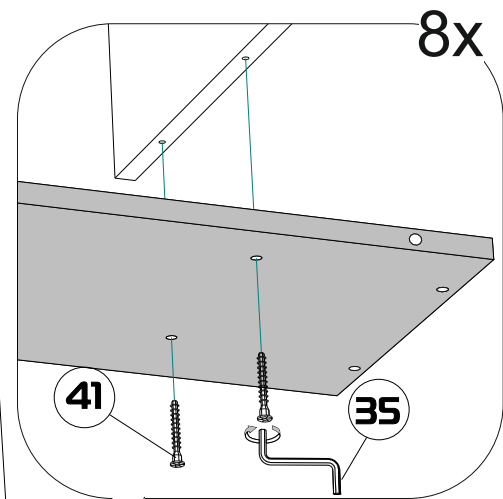
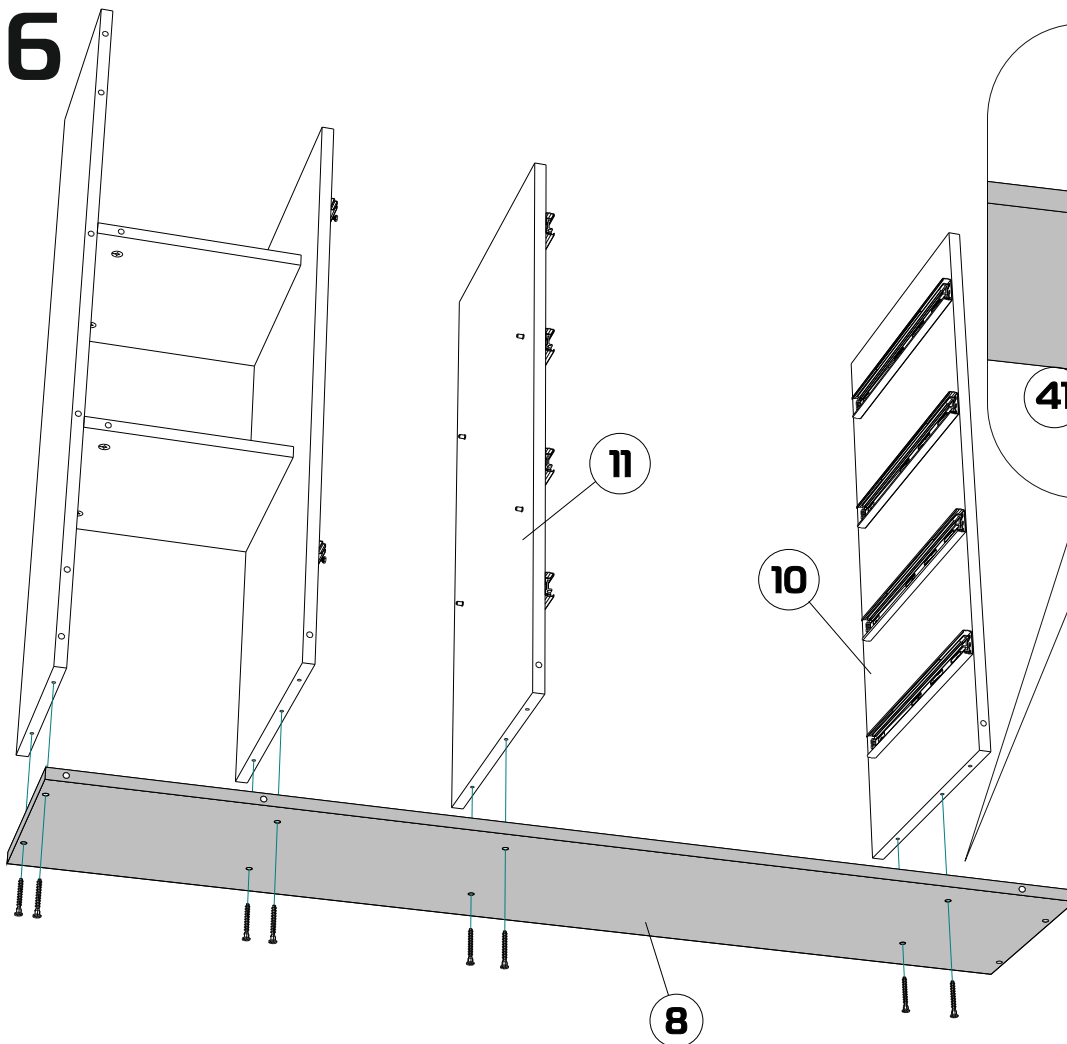


6

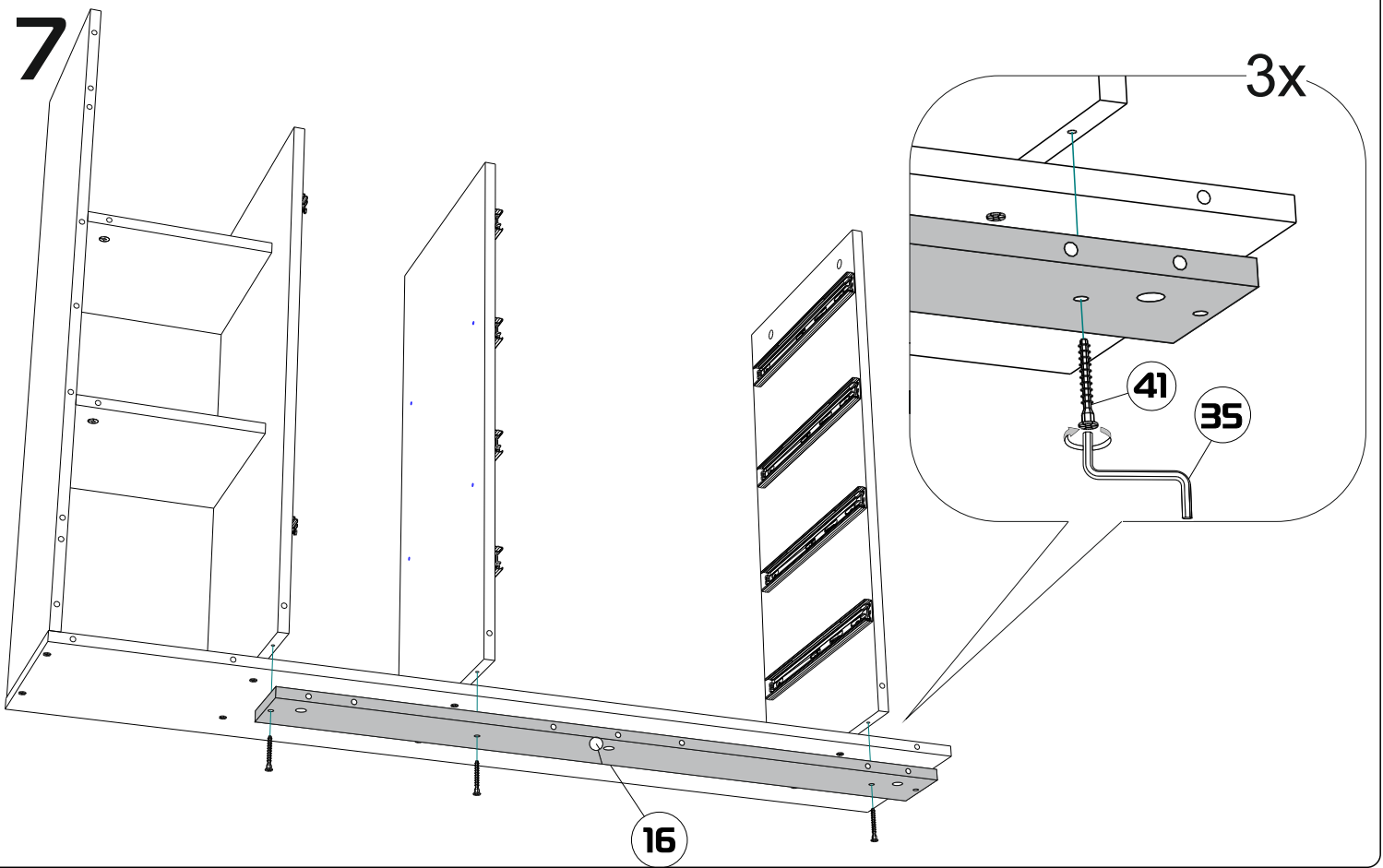
5



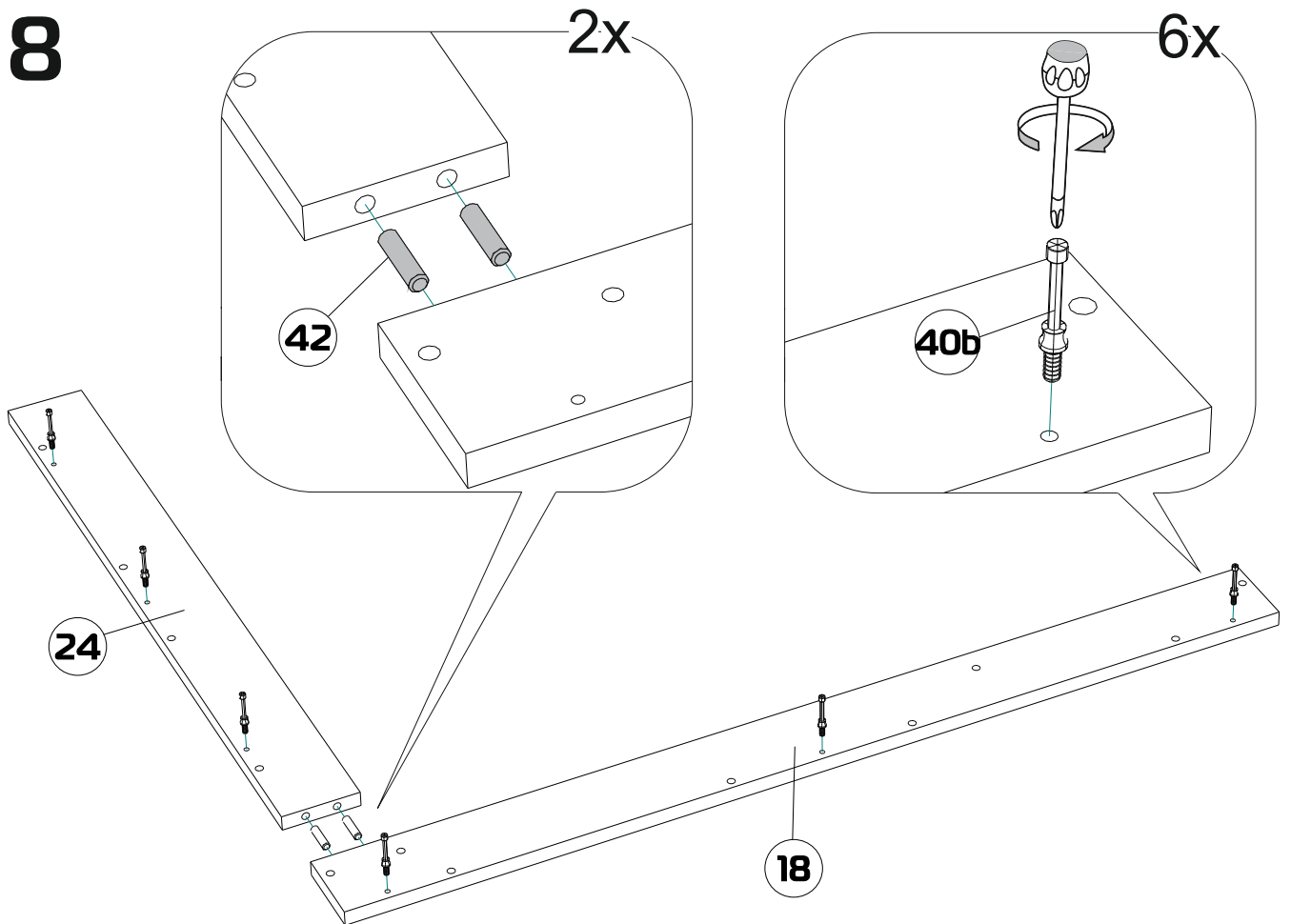
6



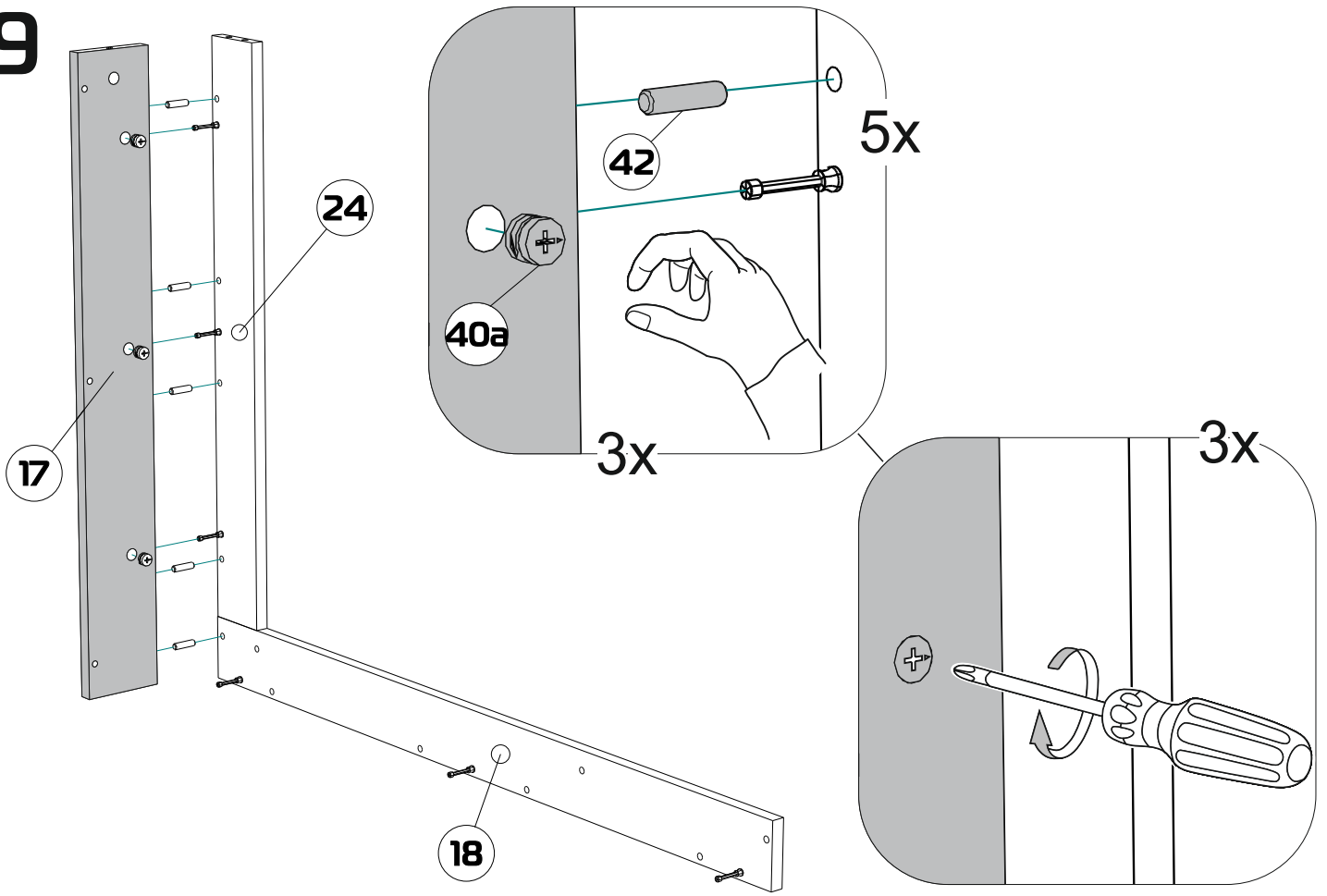
7



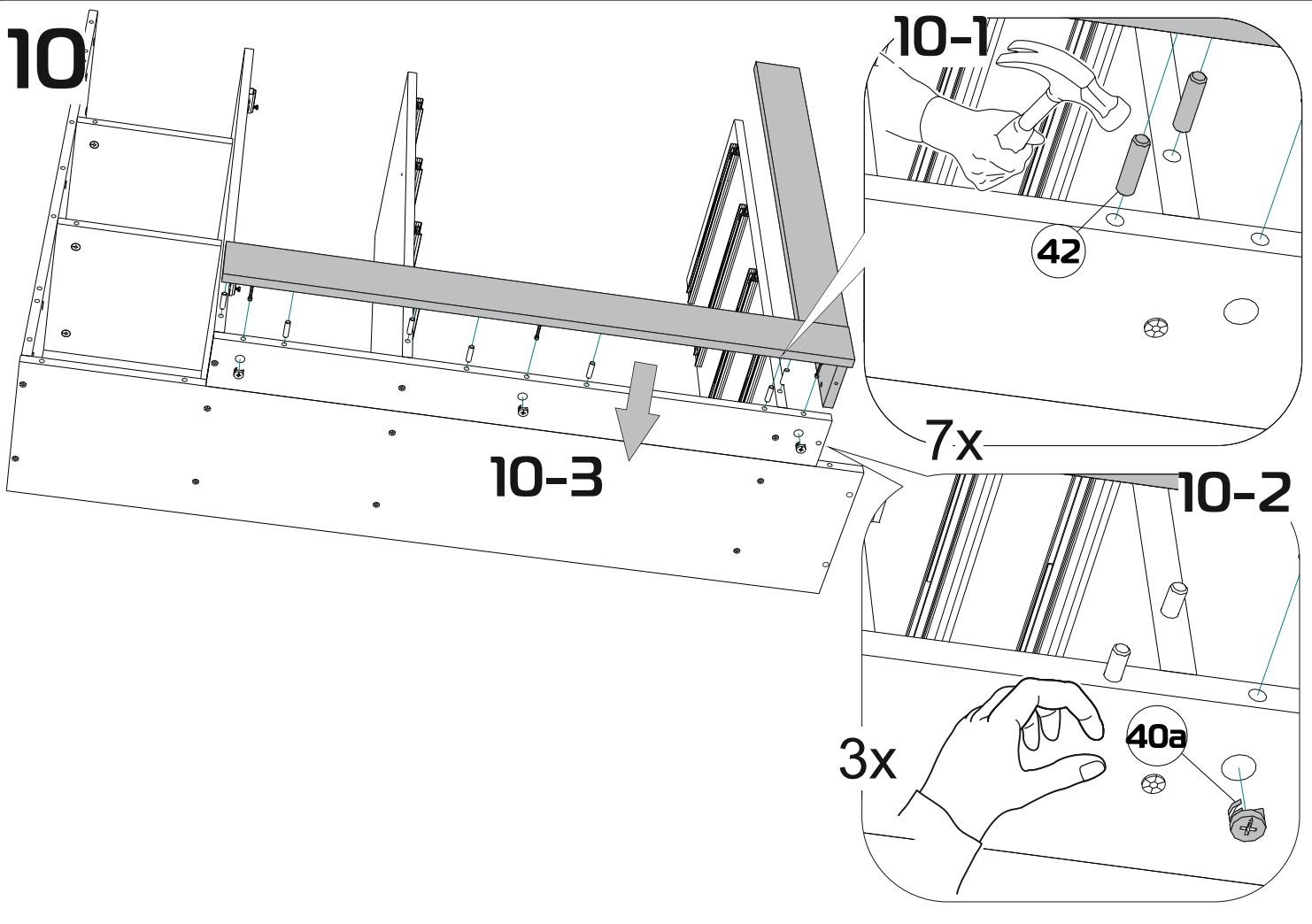
8



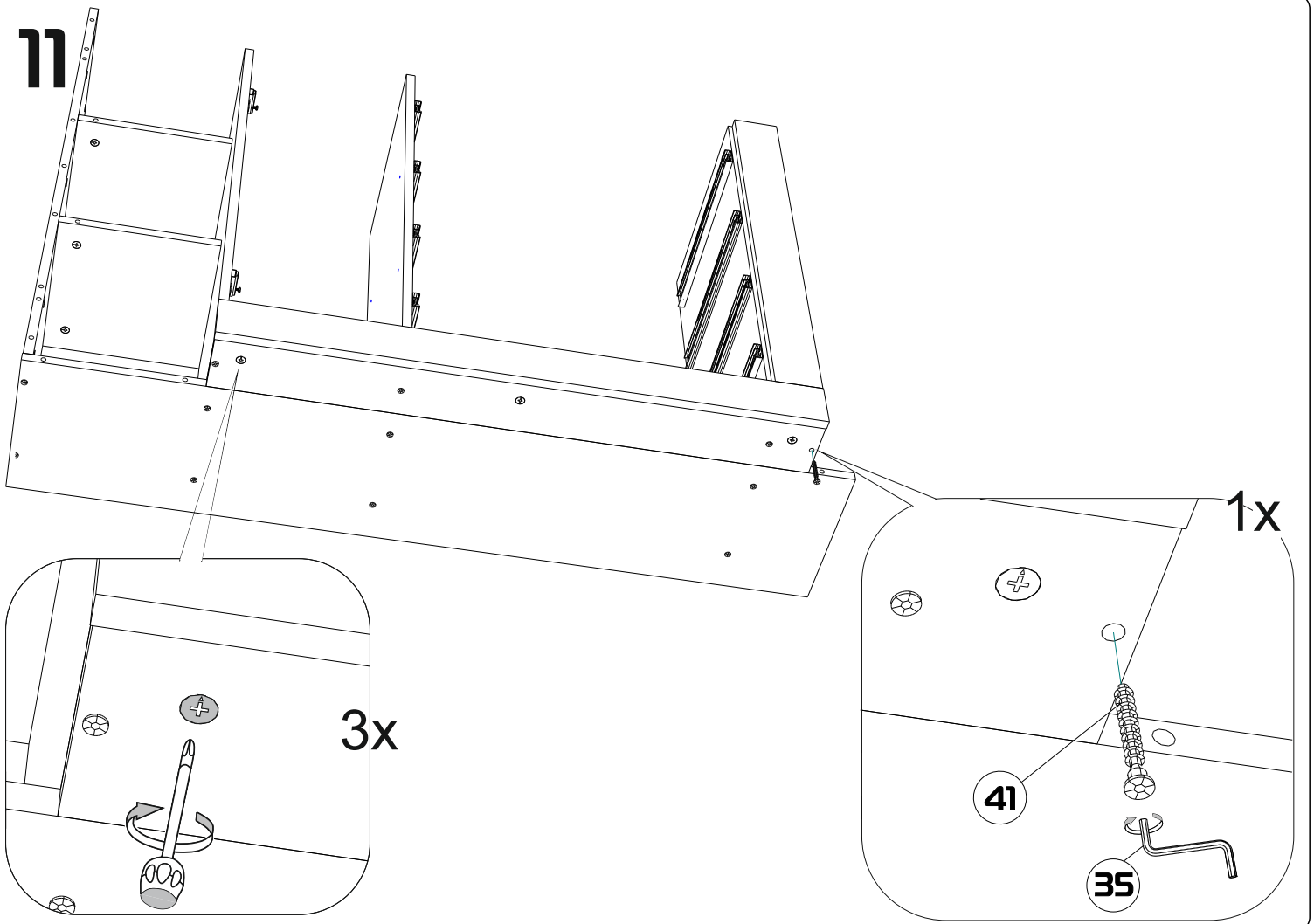
9



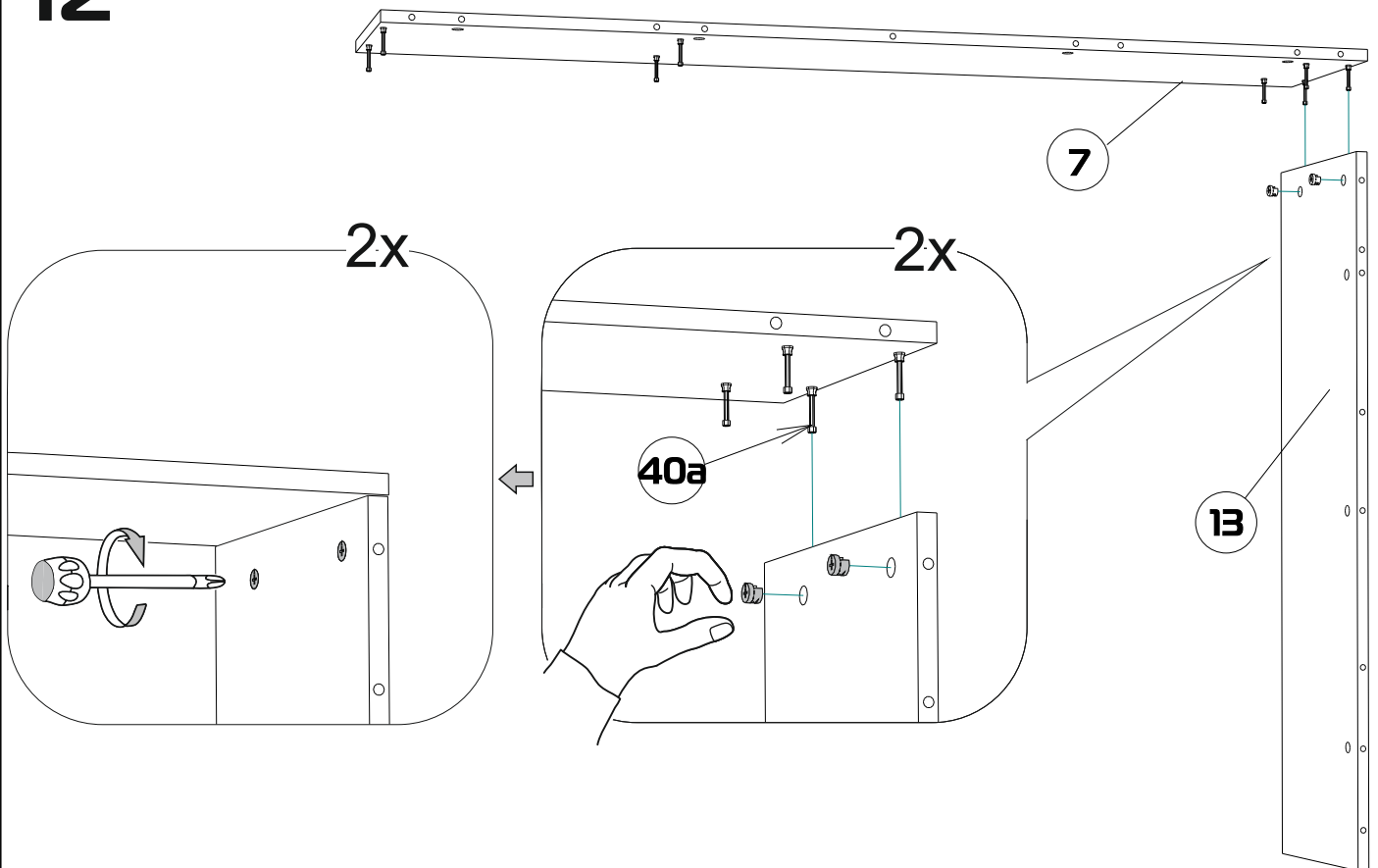
10



11

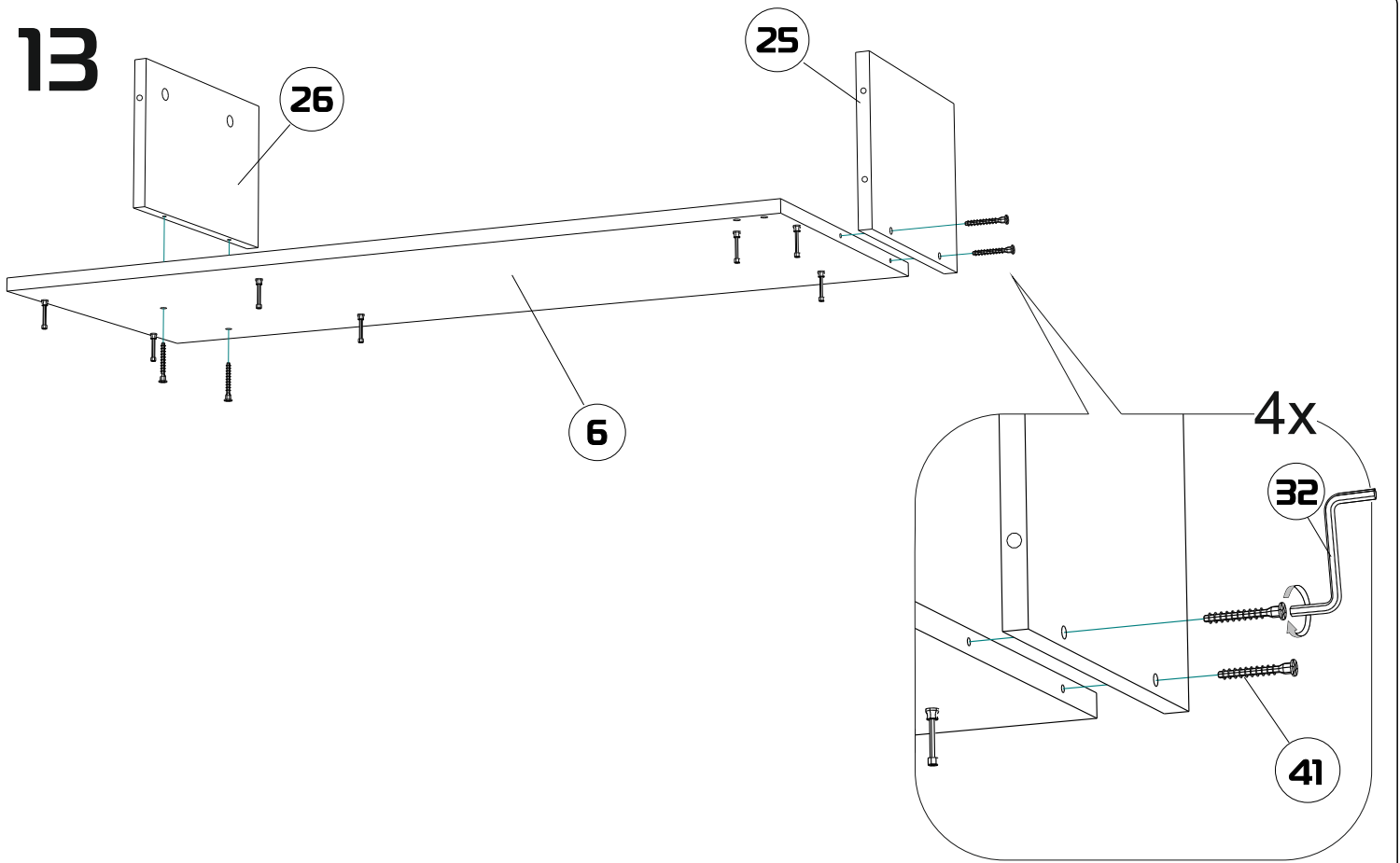


12

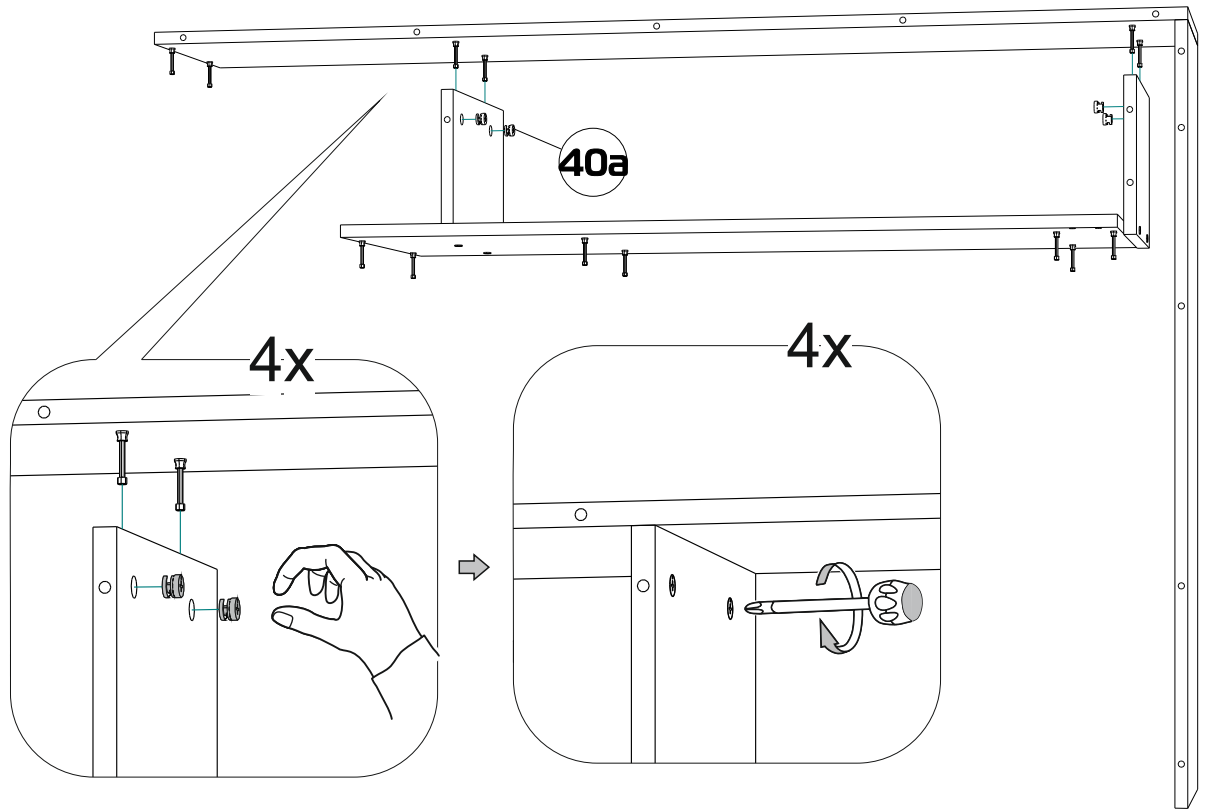


10

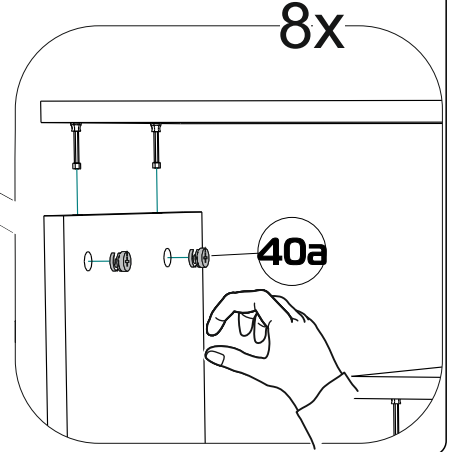
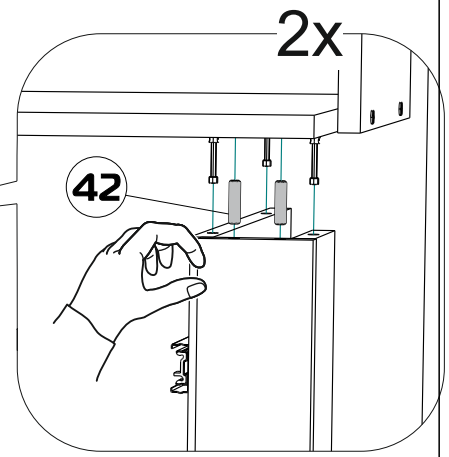
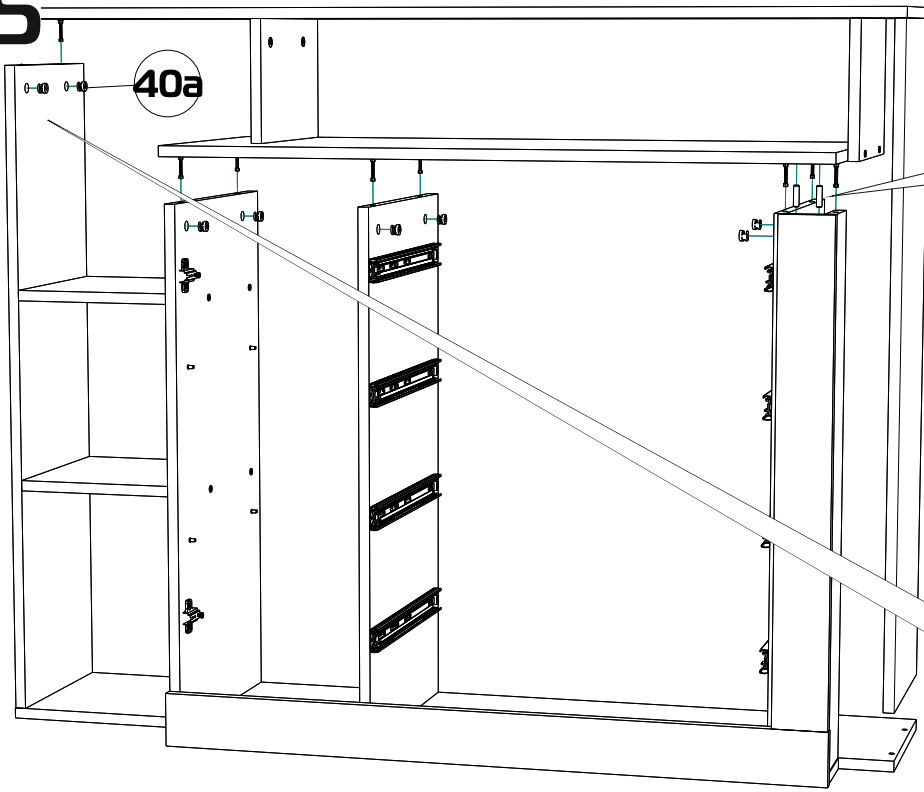
13



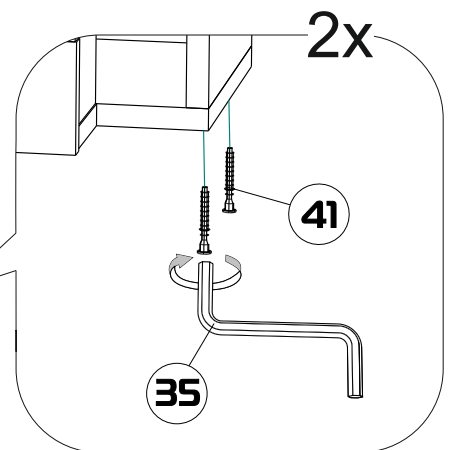
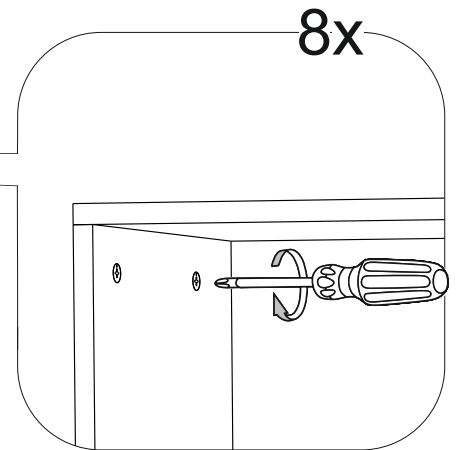
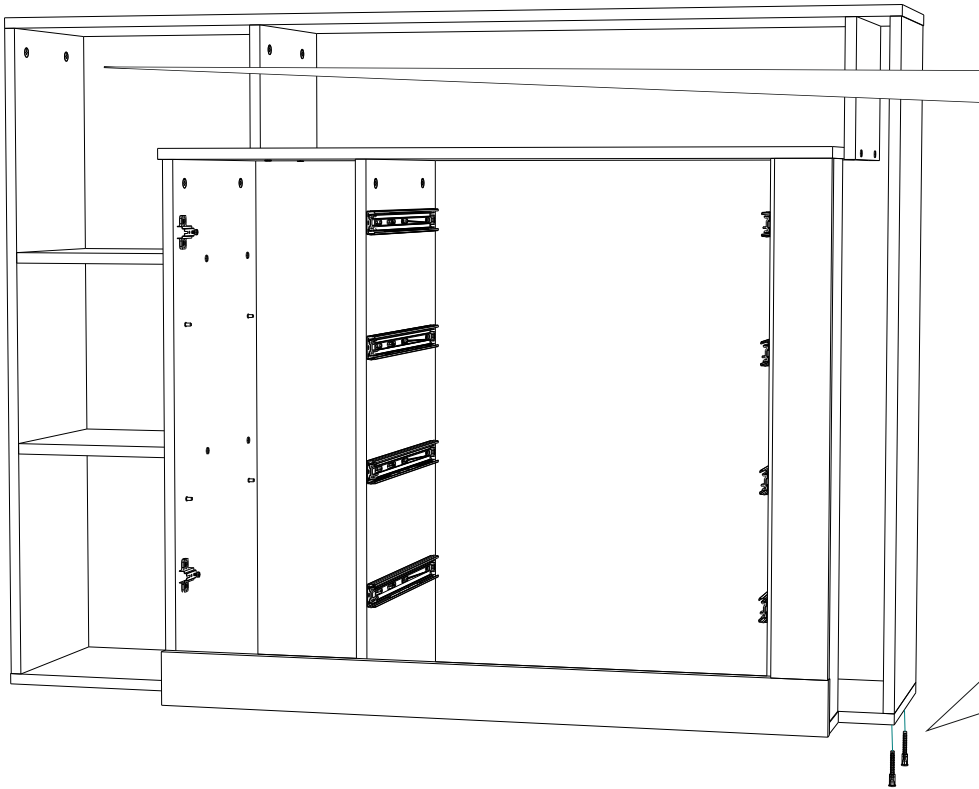
14



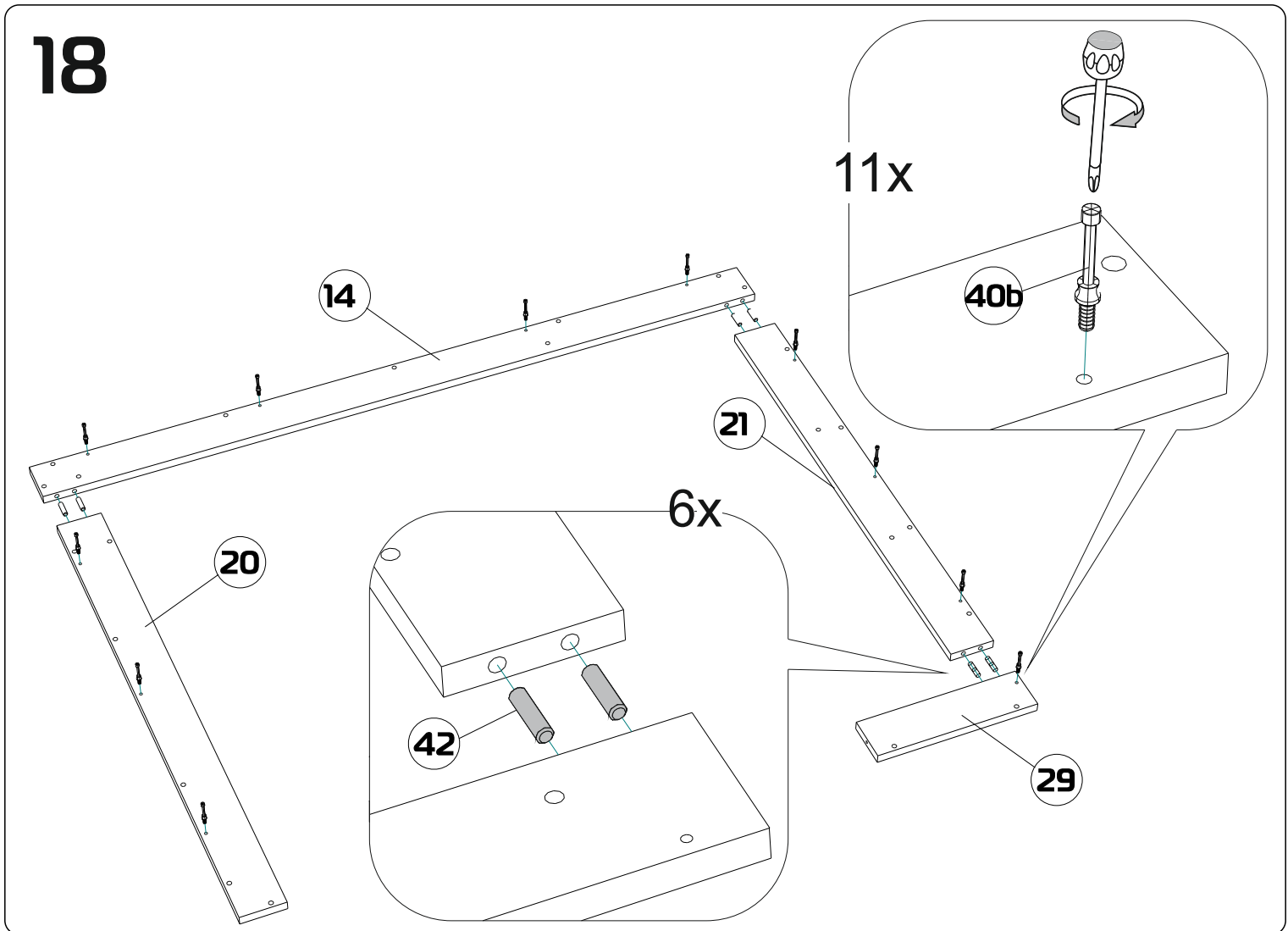
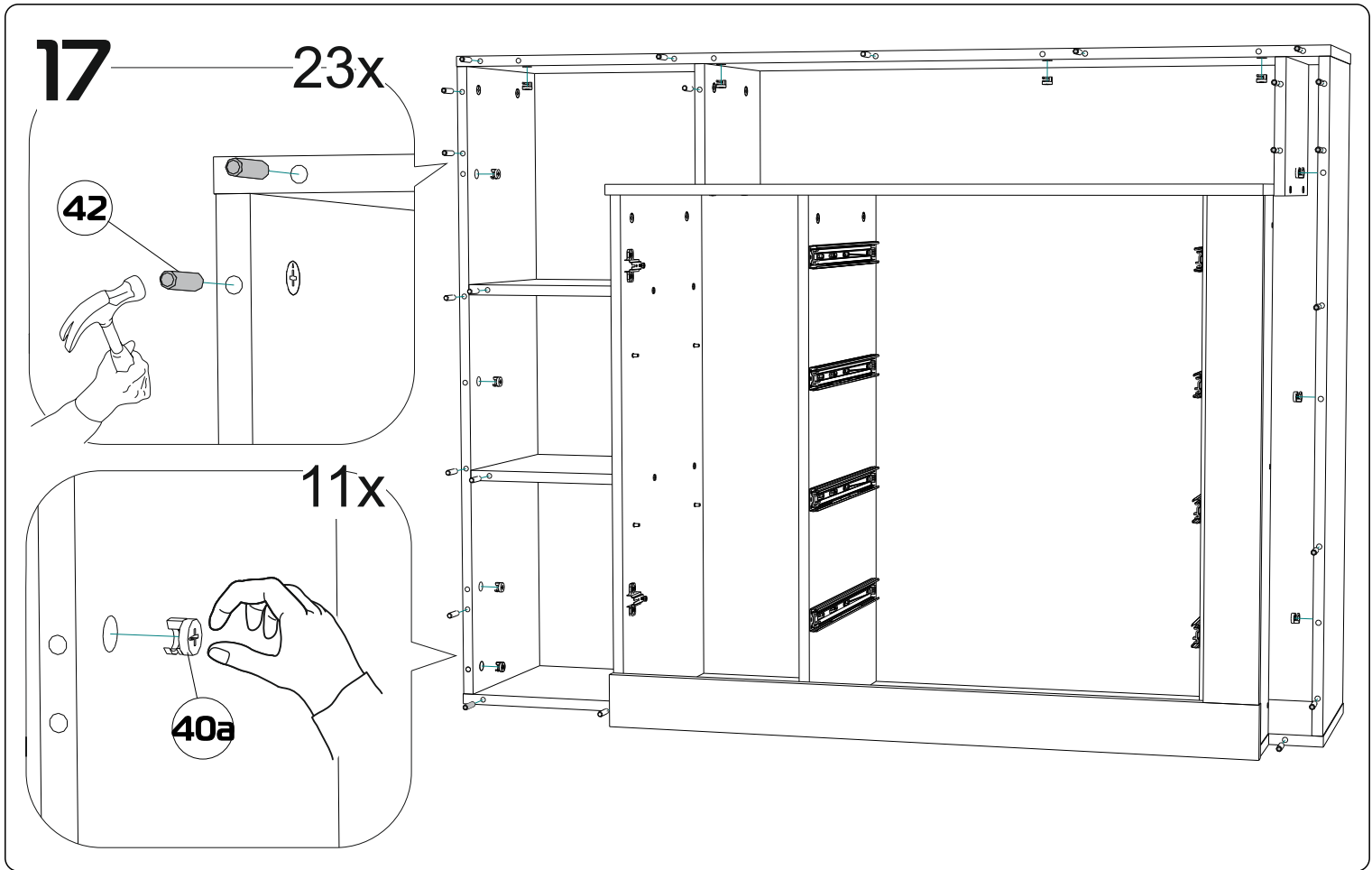
15



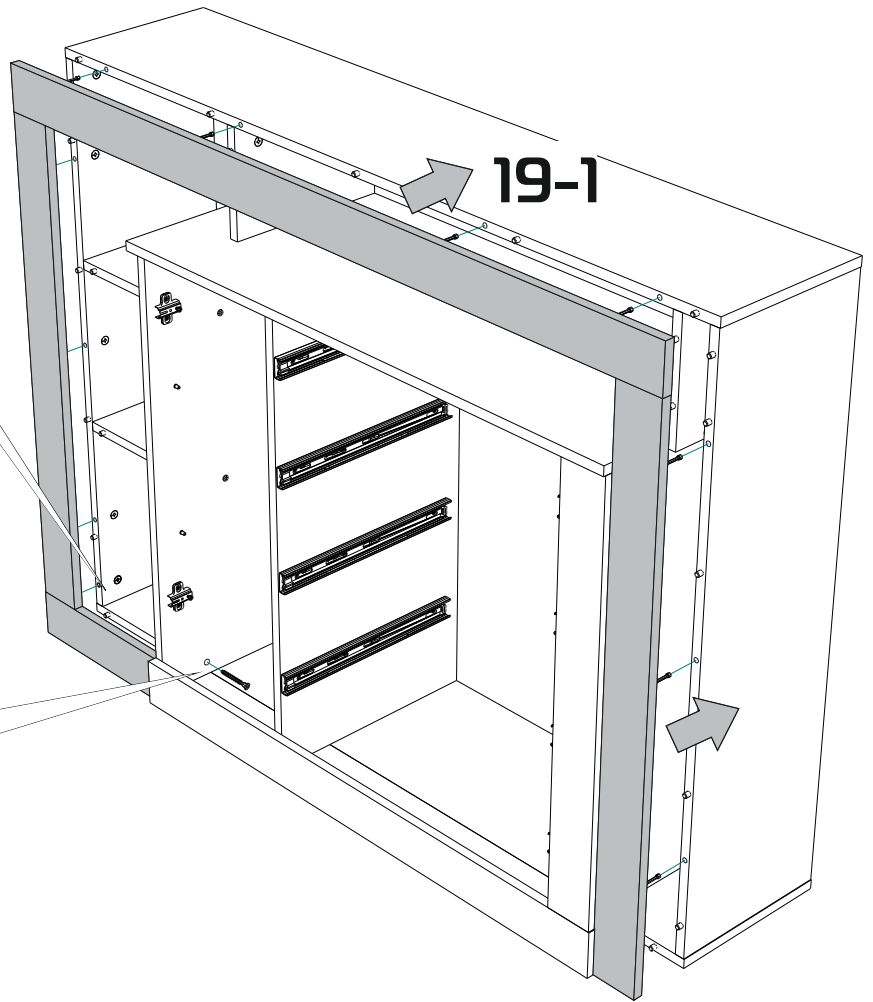
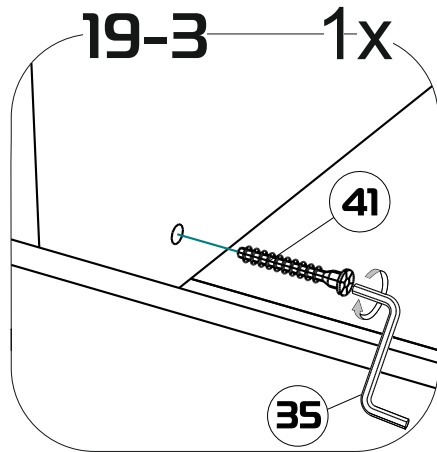
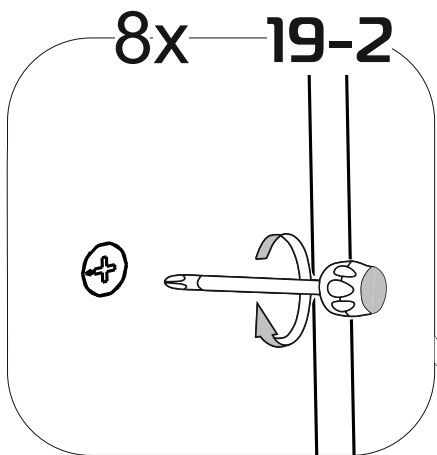
16



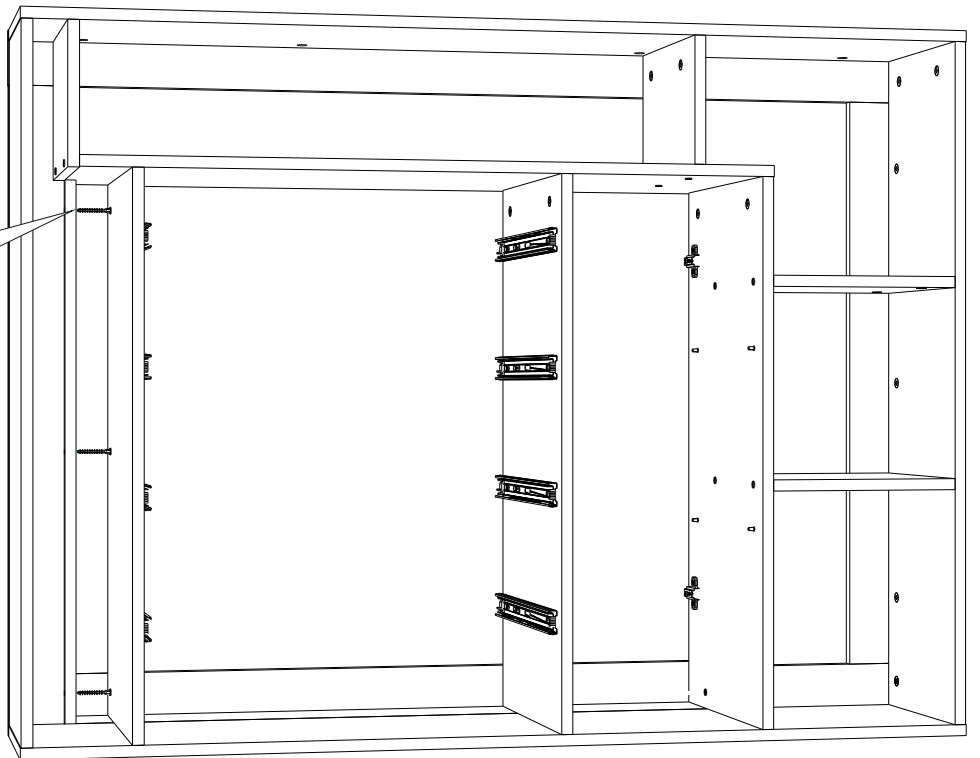
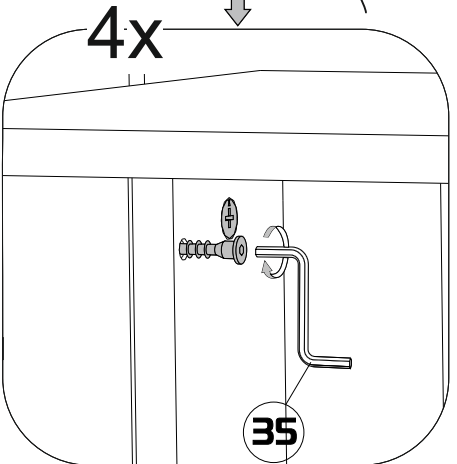
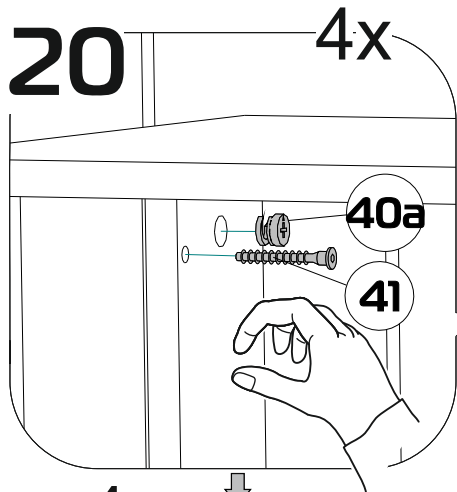
12



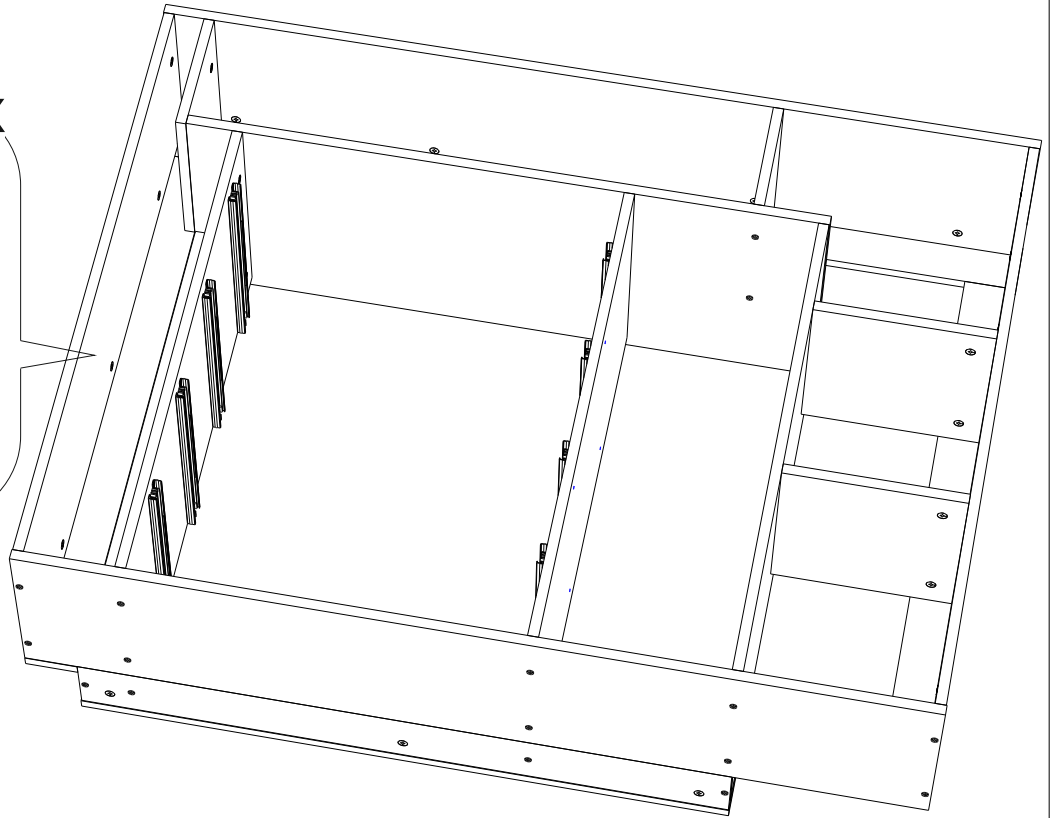
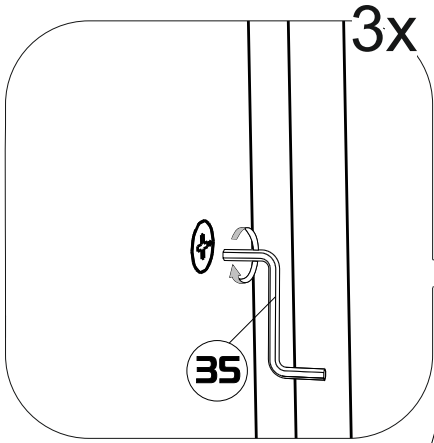
19



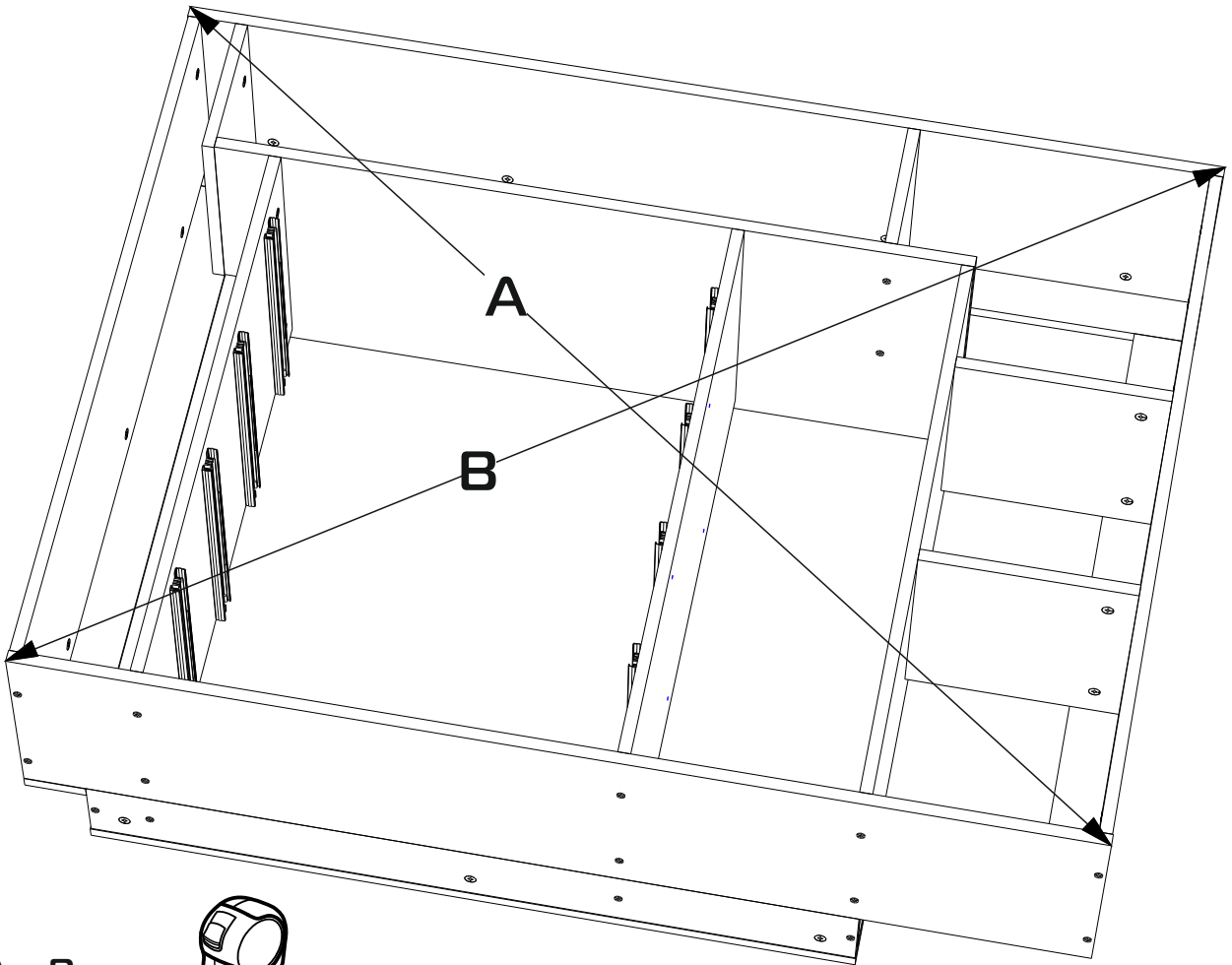
20



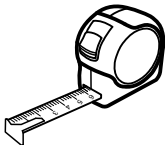
21



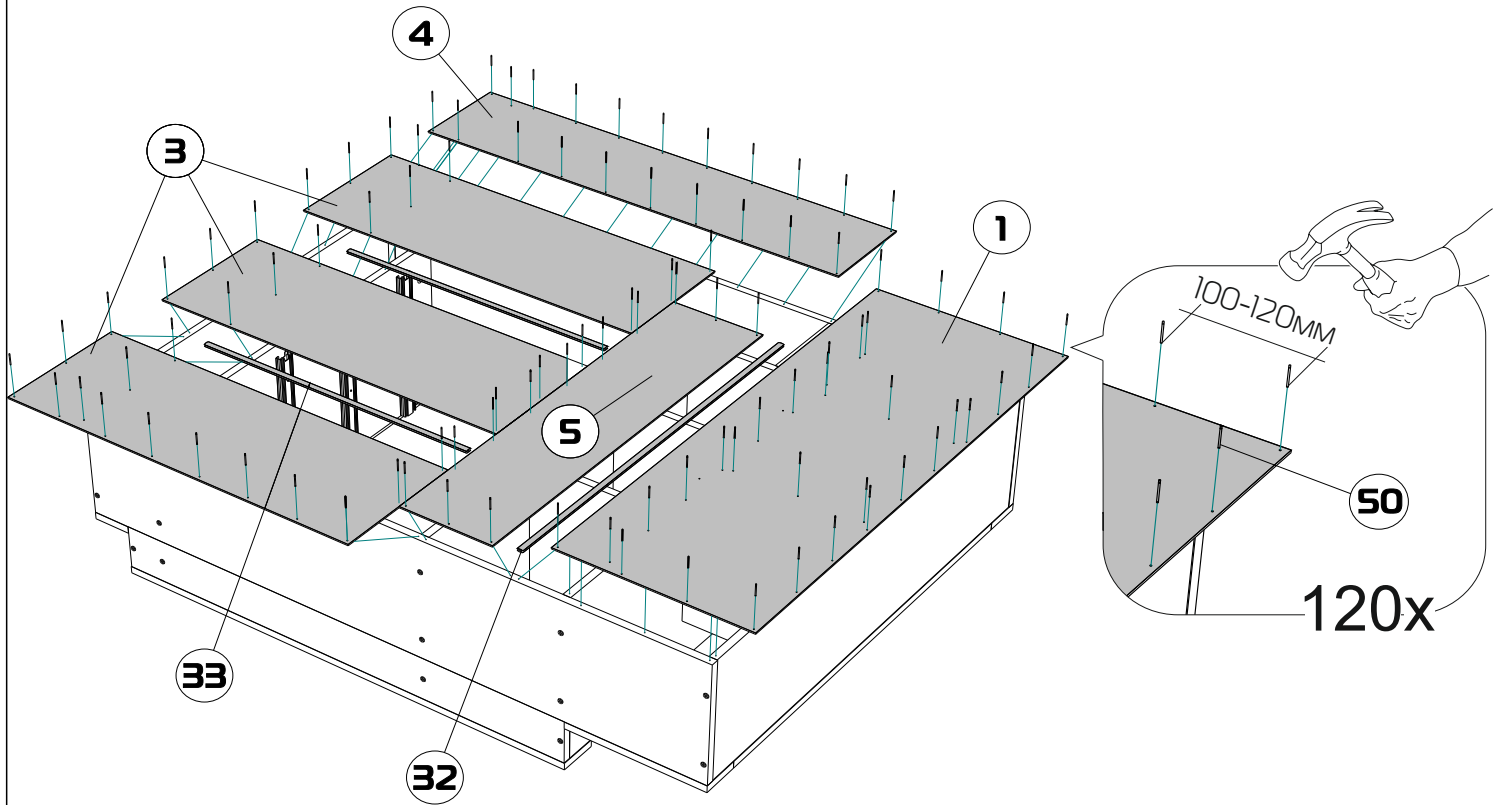
22



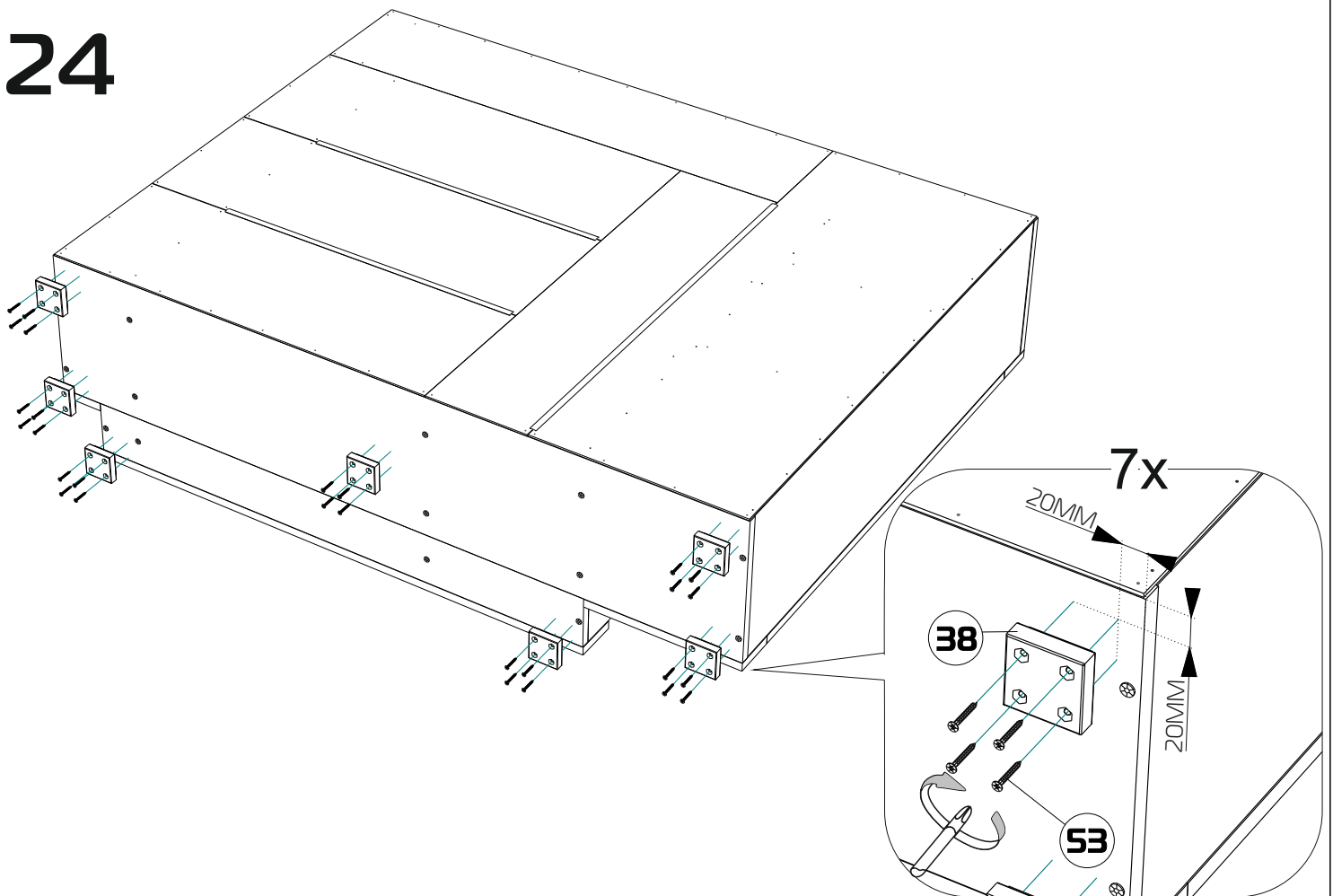
A = B



23

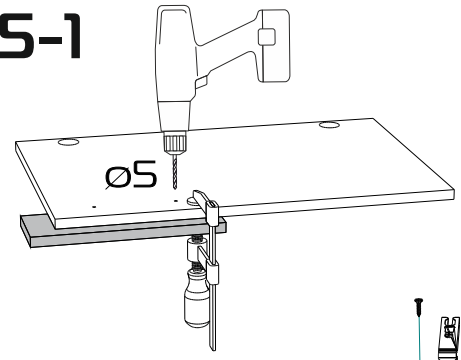


24



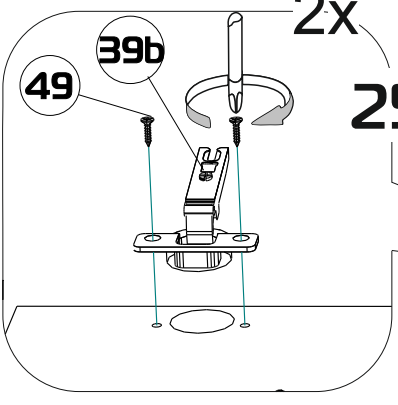
25

25-1

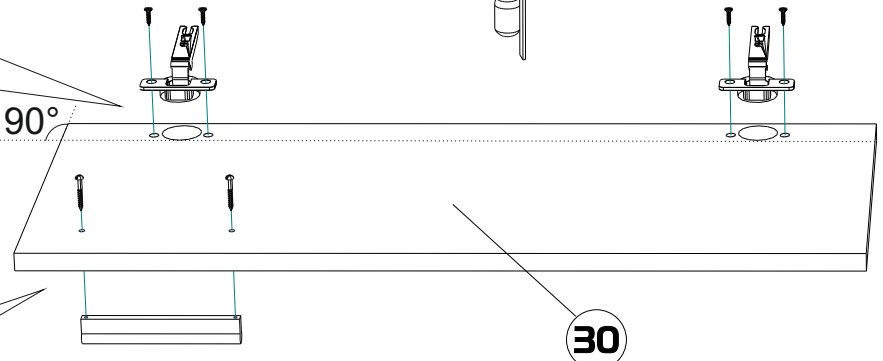


2x

25-2

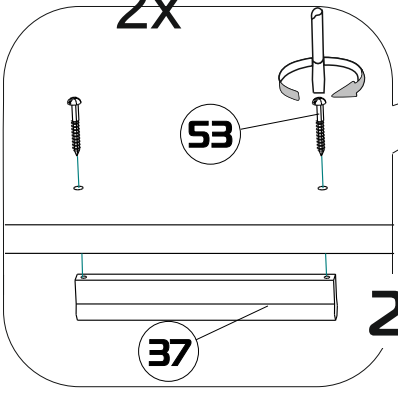


90°

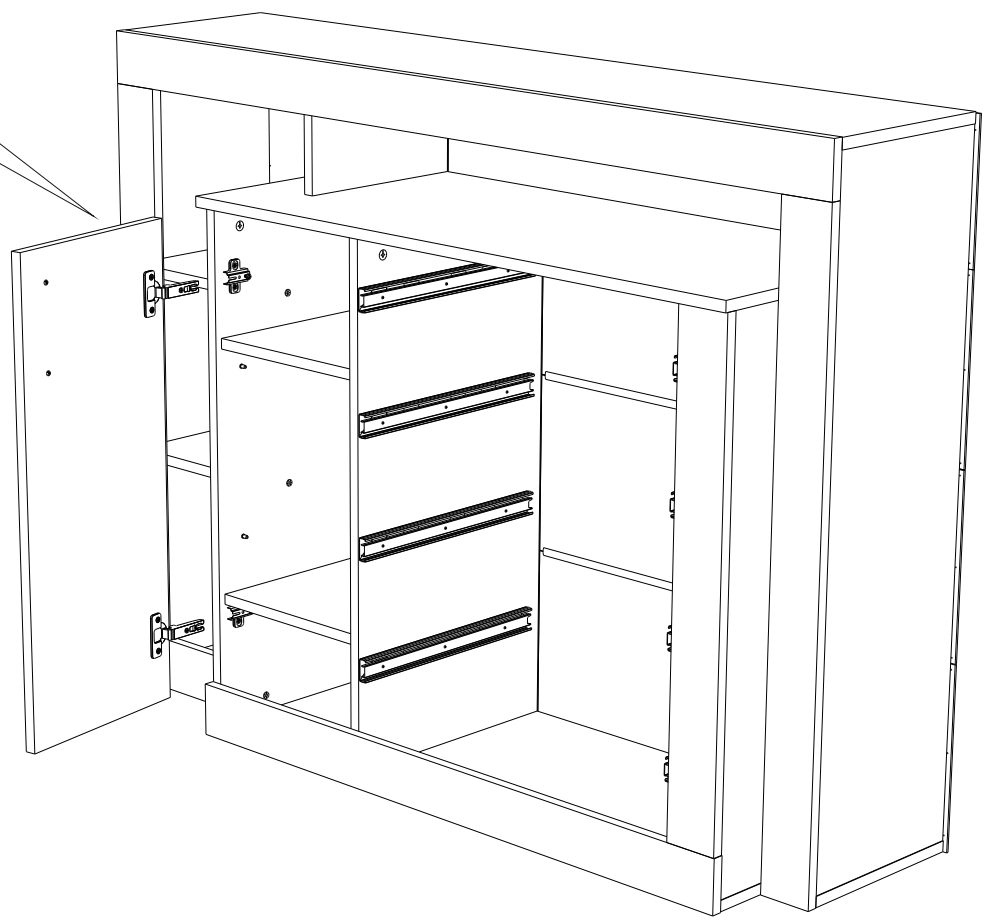
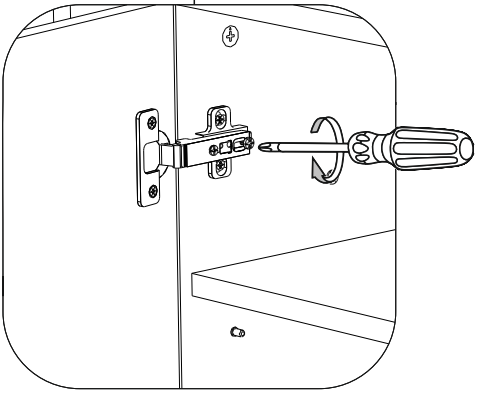
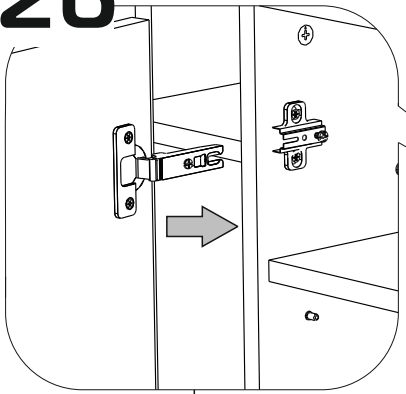


2x

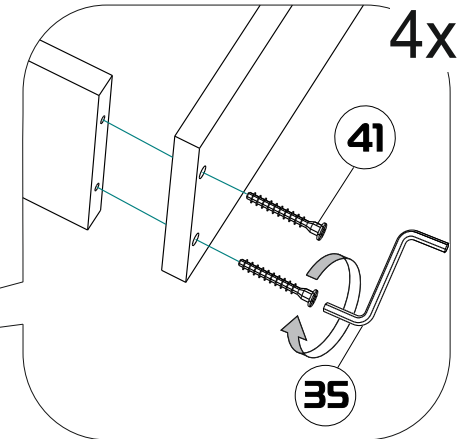
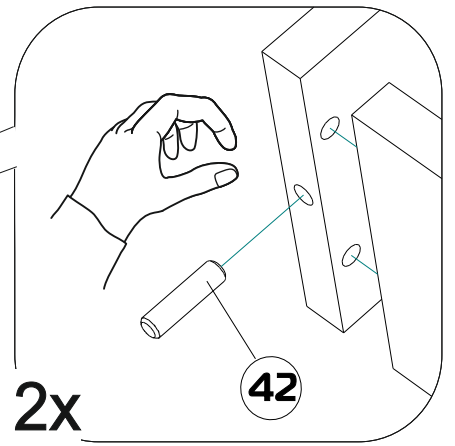
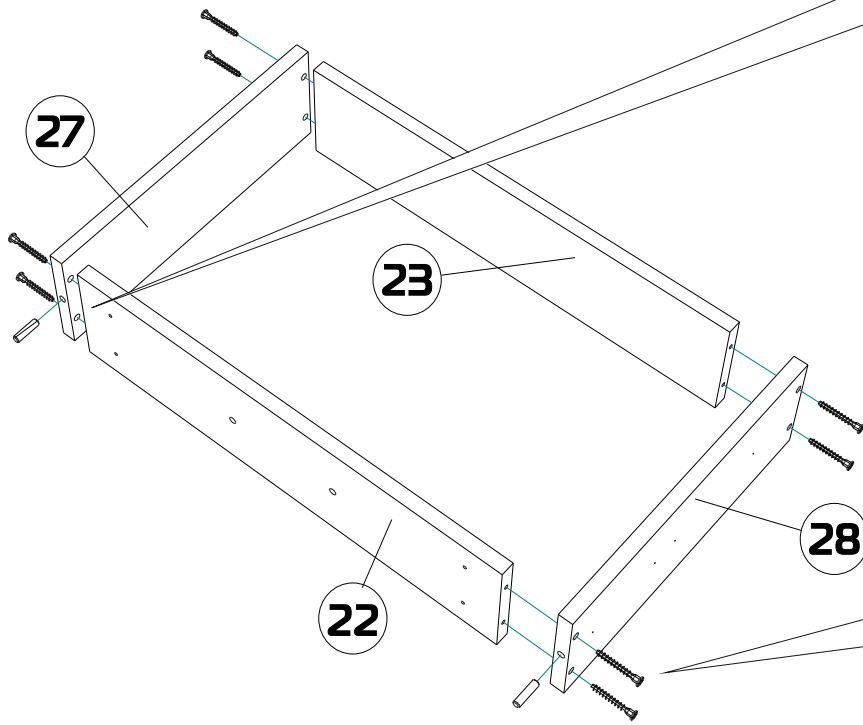
25-3



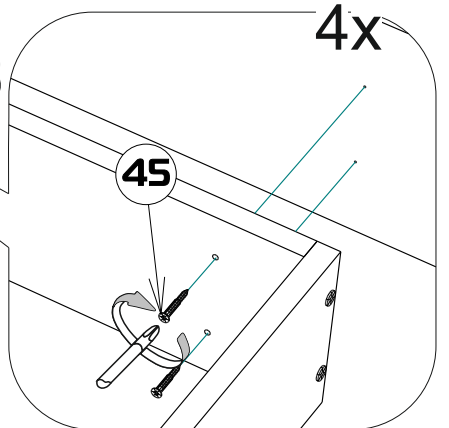
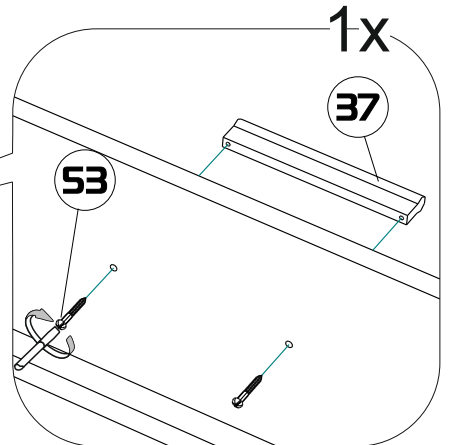
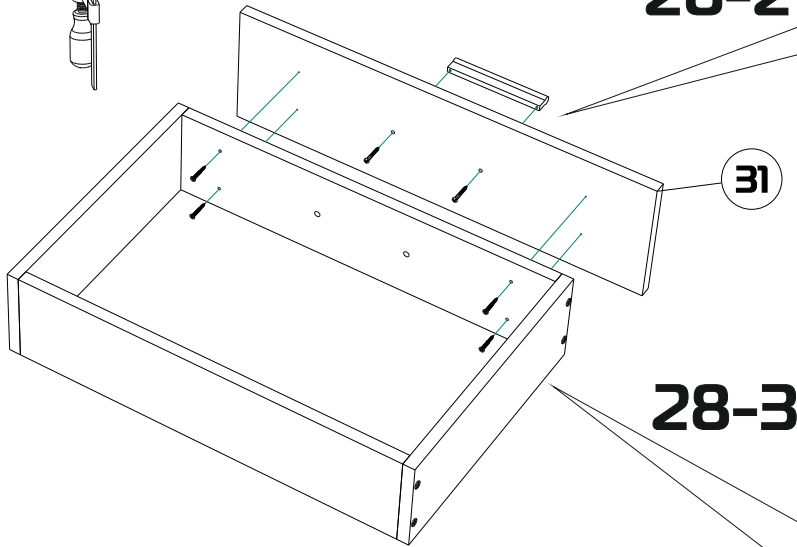
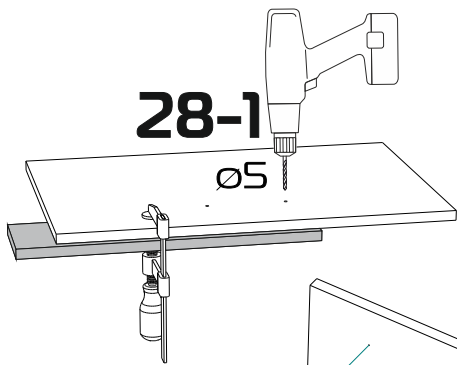
26



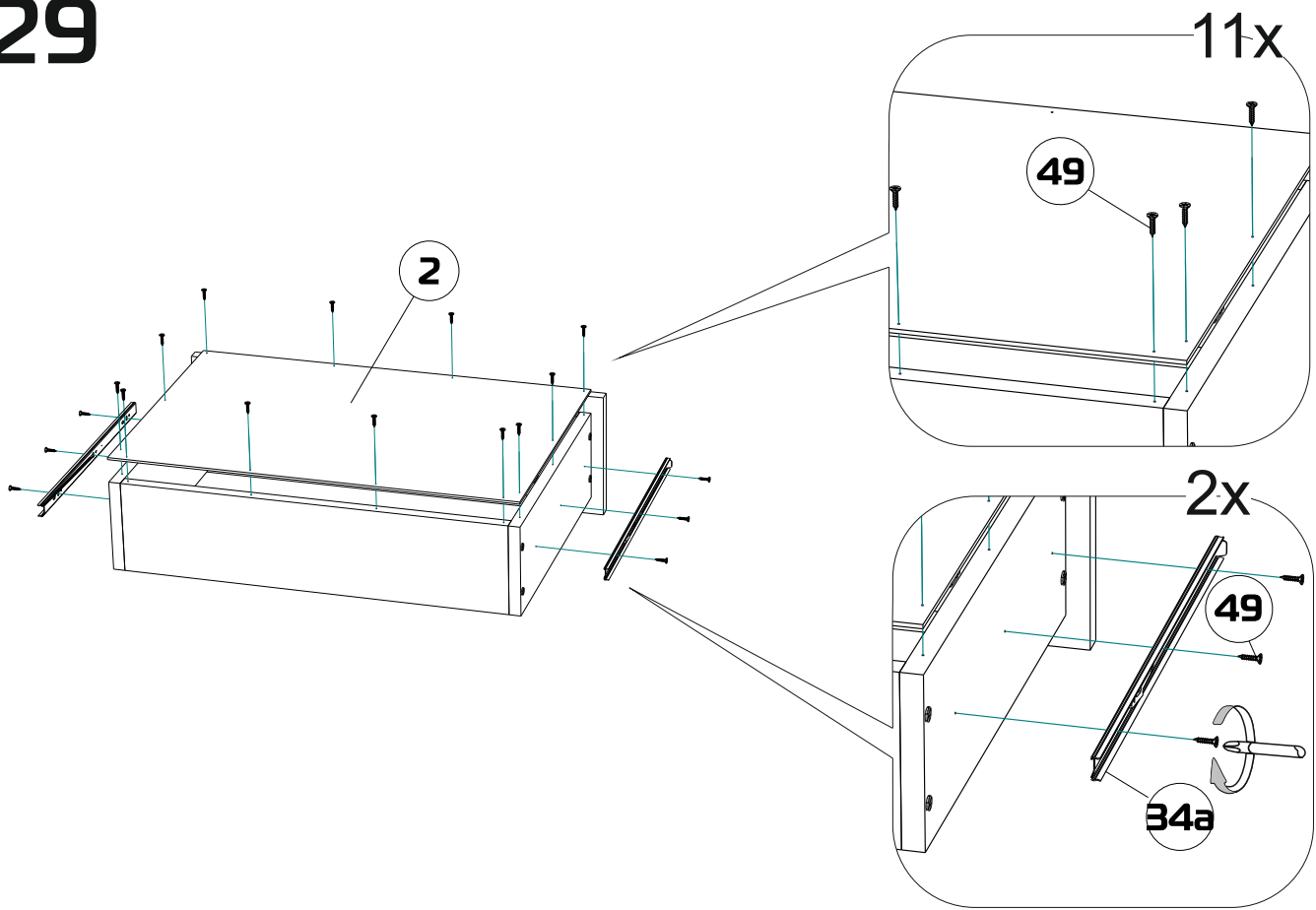
27



28



29



30

