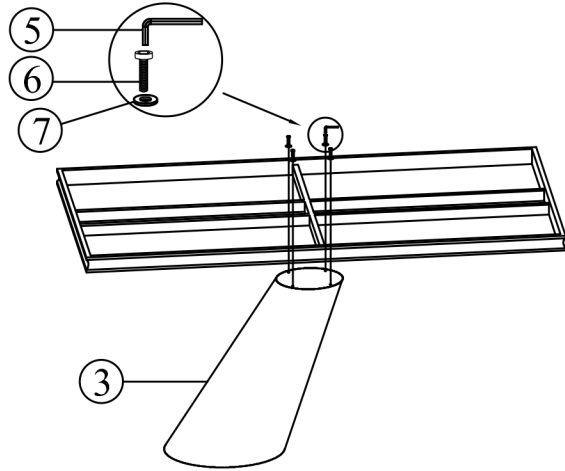
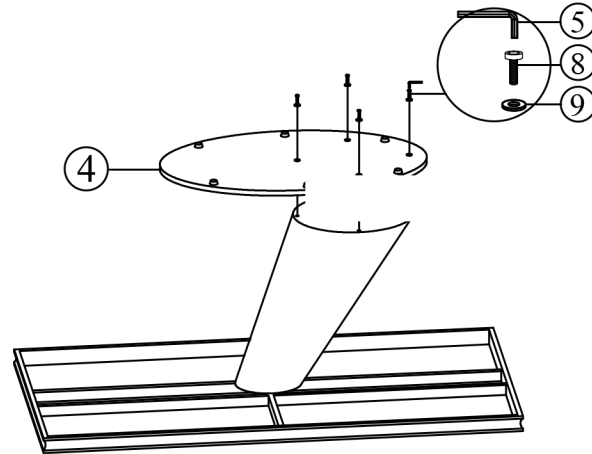


T956

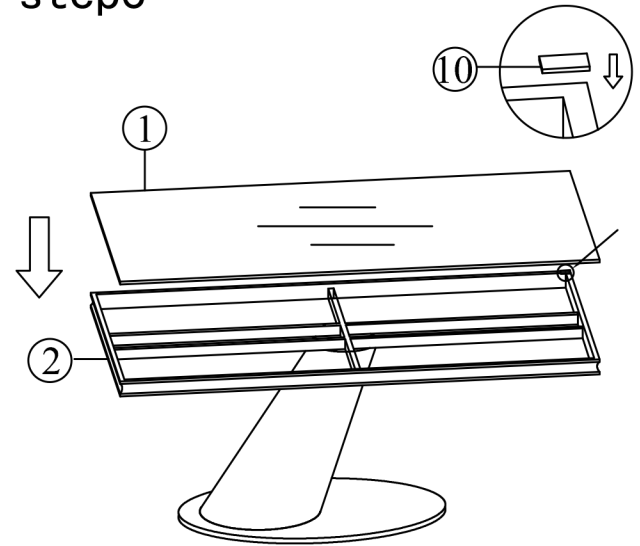
step1



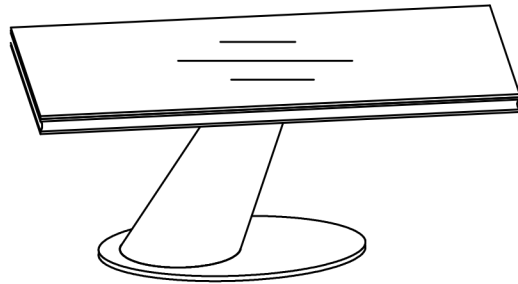
step2



step3



step4



1. Prohibit to use iron brush or corrosive chemical detergent including acidity, alkalinity, salt to clean stainless steel. Only allow using professional stainless steel cleaning detergent. Otherwise, stainless steel will get rusty!
2. Under normal circumstance, stainless steel is anti-rusted, in serious pollution area such as seaside, brickyard, ceramics factory, electroplating factory and districts with heavy acid rain, stainless steel will get rusty!

NO	SIZE	SKETCH	QTY
1	—		1
2	—		1
3	—		1
4	—		1
5	—		1
6	M8*50		4
7	φ20		8
8	M8*30		4
9	φ30		4
10	—		6