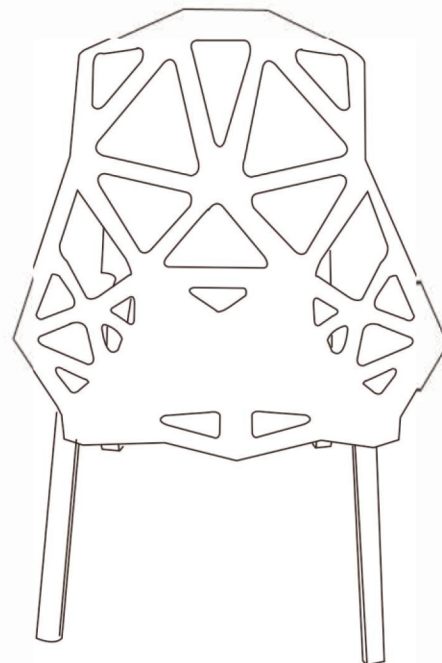
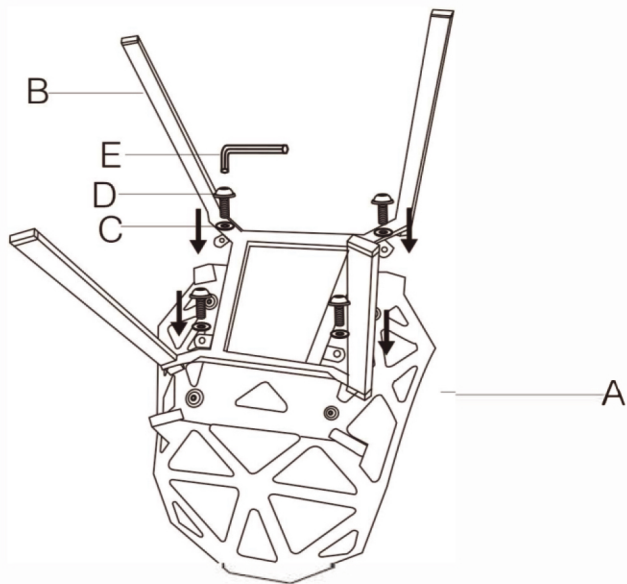


Assembly Instruction



A		1	B		1	C		4	D		4	E		1
									M6*16mm				M5	